



AUTEXIER

MANUFACTURER OF INDUSTRIAL VALVES

93 Rue Louis Blanc - 02300 CHAUNY - FRANCE
 Phone : +33 (0)3 23 52 02 86 Fax : +33 (0)3 23 39 52 28
 Website : www.autexier.fr

Ref. A112 Family : 20

Rev. 05

Date : 14 Dec. 2022

Page 1/2

BRONZE SWING CHECK VALVE Ref. A112ØB/B1

SERIES :

- A112ØB : Inlet flanged / outlet smooth finish
- Full bore
- Oblique seat : 15°

For material compatibility, contact us

CHARACTERISTICS :

- PN16 (Nominal Pressure)
- ENDS : Fixed flange ISO PN16 or loose flange ISO PN10 / smooth
- MATERIAL : BRONZE CC491K

MAXIMUM CONDITIONS OF USE :

- 16 bar of -15°C to 120°C

APPLICATIONS :

- Water-based fluids
- Steam (8 bar)
- Seawater

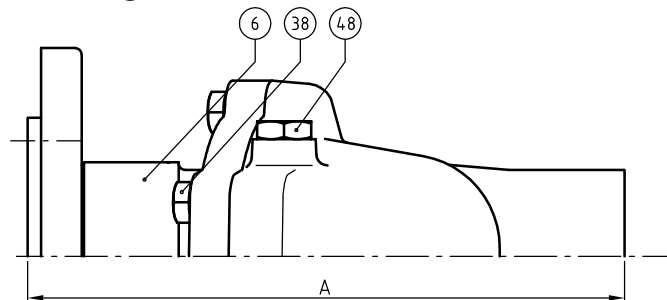
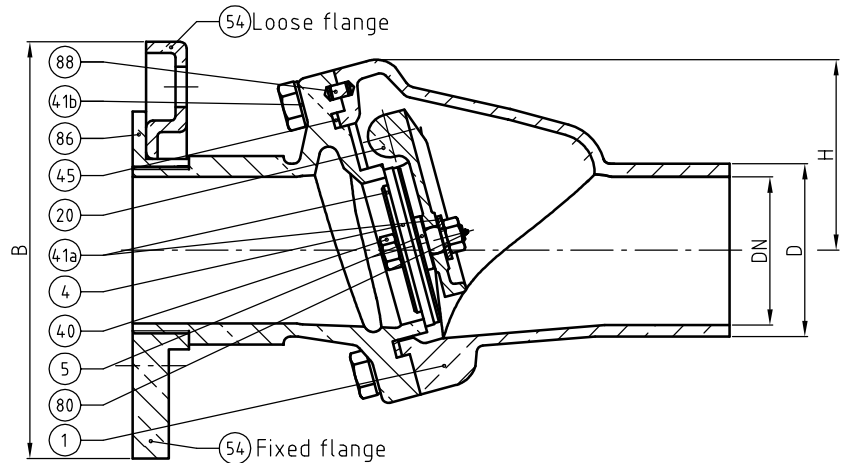
OPTIONS :

- Special drilling
- Socket welding
- Coupling Victaulic® ou Straub®

Specific dimensions, contact us



Subject to modifications / Photos for information only



DIMENSIONS

DN	A (mm)	B (mm)	D (mm) Ref.A112ØB	D (mm) Ref.A112ØB1	H (mm)	n
32	180	140	38	-	67	5
40	195	150	48.3	44.5	72	5
50	223	165	57	-	85	5
65	265	185	76.1	-	85	6
80	295	200	88.9	84	98	7
100	305	220	108	-	111	7
125	370	250	133	-	144	8
150	420	285	159	-	157	8
200	515	340	219	-	173	9

NOMENCLATURE

Rep	Qty	Designation	Material
1	1	BODY	BRONZE
4	1	DISC	FPM
5	1	DISC HOLDER	ALUMINIUM BRONZE
6	1	SEAT	BRONZE
20	1	LEVER	ALUMINIUM BRONZE
38	n	SCREW	STAINLESS STEEL
40	1	NUT	STAINLESS STEEL
41a	1	WASHER	ALUMINIUM BRONZE
41b	n	WASHER	STAINLESS STEEL
45	1	GASKET	FPM
48	1	SLEEVE	ALUMINIUM BRONZE
54	1	FIXED / LOOSE FLANGE	BRONZE / STAINLESS STEEL
80	1	CUSHION	POLYURETHANE
86	1	COLLAR	ALUMINIUM BRONZE
88	1	CENTRING PIN	ALUMINIUM BRONZE

REFERENCES NORMS :

- Material : NF EN 1982 - NF EN 12163 - NF EN 12164 - NF EN 10272
- Testing & checking : NF EN 12266-1/-2 (bench test)
- Flange : NF EN 1092-3

Ref. instruction of assembling : 0904DA139E

Ref. instruction of operation : 0904DA089E

**Mounting & assembly guides are available
on our website.**

These data are for information and can be modified without notice. It is not up to us to appreciate specifications. It is up to the customer to verify the adequacy between the equipment chosen and the real conditions of use.