



AUTEXIER

MANUFACTURER OF INDUSTRIAL VALVES

93 Rue Louis Blanc - 02300 CHAUNY - FRANCE
 Phone : +33 (0)3 23 52 02 86 Fax : +33 (0)3 23 39 52 28
 Website : www.autexier.fr

Ref. 109 Family : 19

Rev. 08

Date : 20 Dec. 2022

Page 1/1

BRONZE SWING CHECK VALVE

Ref. 109BØ / 109MØ

SERIES :

- 109BØ : Contact Bronze / FPM
- 109MØ : Contact Bronze / Bronze
- Screwed bonnet

For material compatibility, contact us



CHARACTERISTICS :

- PN20 (Nominal Pressure)
- ENDS : Female GAZ threads
- MATERIAL : BRONZE CC491K

MAXIMUM CONDITIONS OF USE :

- 109BØ : 20 bar of -15°C to 200°C
- 109MØ : 20 bar of -45°C to 225°C

APPLICATIONS :

- Water-based fluids

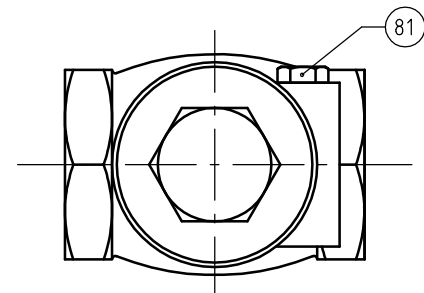
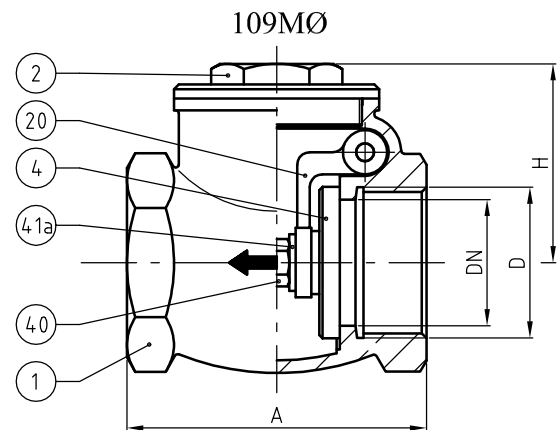
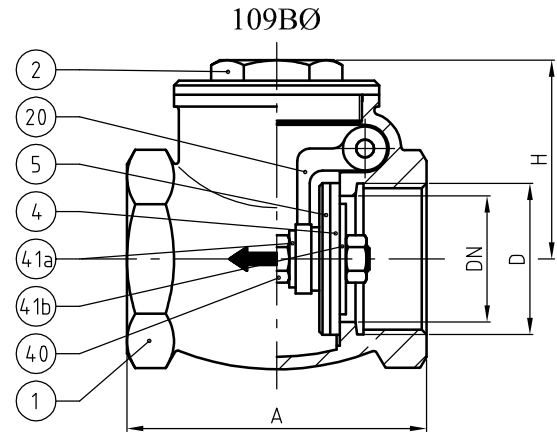
OPTIONS :

- NPT/API connection
- Specific dimensions, contact us*

Subject to modifications

NOMENCLATURE			
Rep	Qty	Designation	Material
1	1	BODY	BRONZE
2	1	BONNET	BRONZE
4	1	DISC	FPM / BRONZE / BRASS
5	1	DISC HOLDER	BRONZE / BRASS
20	1	LEVER	BRONZE
40	2 / 1	NUT	BRASS
41a	1	WASHER	BRASS
41b	1	WASHER	BRASS / BRONZE (DN80)
81	1	AXIS	BRASS

DIMENSIONS									
DN	12	15	20	25	32	40	50	65	80
A (mm)	55	60	65	75	87	95	110	126	156
D	3/8"	1/2"	3/4"	1"	1"1/4	1"1/2	2"	2"1/2	3"
H (mm)	38	43	47	53	60	63	74	86	105
Weight (Kg)	0.213	0.348	0.444	0.618	0.950	1.380	2.096	3.080	4.953



REFERENCES NORMS :

- Material : NF EN 1982 - NF EN 12163 - NF EN 12164 - NF EN 10272
- Testing & checking : NF EN 12266-1/-2 (bench test)

Ref. instruction of assembling : 0904DA108E

Ref. instruction of operation : 0904DA083E

Mounting & assembly guides are available on our website.

These data are for information and can be modified without notice. It is not up to us to appreciate specifications. It is up to the customer to verify the adequacy between the equipment chosen and the real conditions of use.