



AUTEXIER

MANUFACTURER OF INDUSTRIAL VALVES

93 Rue Louis Blanc - 02300 CHAUNY - FRANCE
Phone : +33 (0)3 23 52 02 86 Fax : +33 (0)3 23 39 52 28
Website : www.autexier.fr

Ref. AU91 Family : 09

Rév. 05

Date : 18 May 2021

Page 1/1

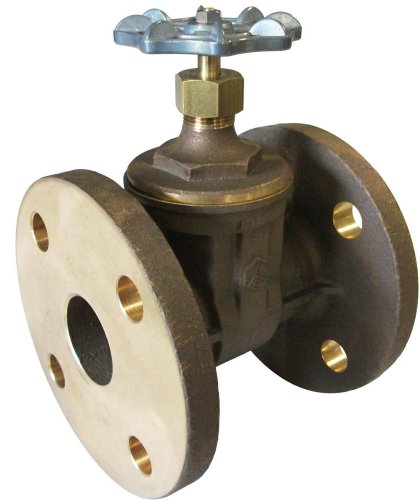
ALUMINIUM BRONZE DOUBLE WEDGE GATE VALVE WITH FLANGES

Ref. AU91.Ø

SERIES :

- AU91
- Double wedge
- Taper seats

For material compatibility, contact us



CARACTERISTICS :

- PN20 (Nominal Pressure)
- ENDS : Flanges ISO PN10 / PN16
- MATERIAL : ALUMINIUM BRONZE CC333G

MAXIMUM CONDITIONS OF USE :

- 20 bar of -10°C to 225°C

APPLICATIONS :

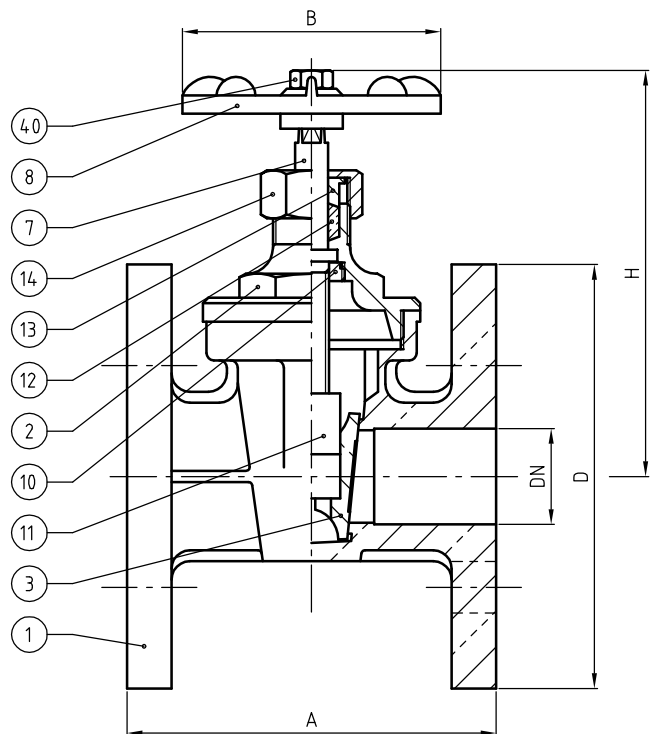
- Water-based fluids
- Seat (8 bar)
- Seawater

OPTIONS :

- Special drilling
- Special face-to-face

Specific dimensions, contact us

Subject to modifications



NOMENCLATURE

Rep	Qty	Designation	Material
1	1	BODY	ALUMINIUM BRONZE
2	1	BONNET	ALUMINIUM BRONZE
3	1	DOUBLE WEDGE DISC	ALUMINIUM BRONZE
7	1	STEM	ALUMINIUM BRONZE
8	1	HANDWHEEL	LIGHT ALLOY
10	1	STEM NUT	ALUMINIUM BRONZE
11	1	WEDGE DISC NUT	ALUMINIUM BRONZE
12	1	PACKING	GRAPHITE + FIBER / PTFE
13	1	PACKING GLAND	ALUMINIUM BRONZE
14	1	PACKING NUT	ALUMINIUM BRONZE
40	1	NUT	STAINLESS STEEL

REFERENCES NORMS :

- Material : NF EN 1982 - NF EN 12163 - NF EN 12164 - NF EN 10272
- Testing & checking : NF EN 12266-1/-2 (bench test)

Ref. instruction of assembling : 0904DA121E

Ref. instruction of operation : 0904DA084E

Mounting & assembly guides are available on our website.

DIMENSIONNS

DN	20	25	32
A (mm)	90	100	110
B (mm)	60	70	70
D (mm)	105	115	140
H (mm)	95	110	120
Weight (kg)	1.840	2.630	3.940

These data are for information and can be modified without notice. It is not up to us to appreciate specifications. It is up to the customer to verify the adequacy between the equipment choosen and the real conditions of use.