



AUTEXIER

MANUFACTURER OF INDUSTRIAL VALVES

93 Rue Louis Blanc - 02300 CHAUNY - FRANCE
Phone : +33 (0)3 23 52 02 86 Fax : +33 (0)3 23 39 52 28
Website : www.autexier.fr

Ref. AU90 Family : 07

Rev. 06

Date : 12 May 2021

Page 1/1

ALUMINIUM BRONZE DOUBLE WEDGE GATE VALVE

Ref. AU90.Ø

SERIES :

- AU90
 - Inlet/outlet female threaded
- For material compatibility, contact us*

CHARACTERISTICS :

- PN20 (Nominal Pressure)
- ENDS : GAZ Threads
- MATERIAL : ALUMINIUM BRONZE CC333G

MAXIMUM CONDITIONS OF USE :

- 20 bar of -10°C to 225°C

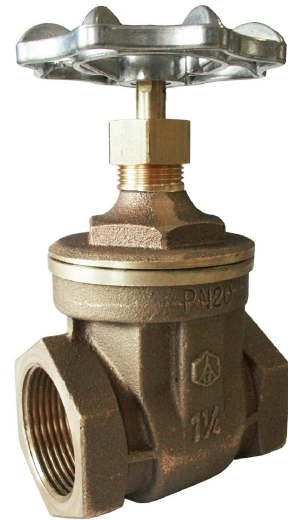
APPLICATIONS :

- Water-based fluids
- Steam (8 bar)
- Seawater

OPTIONS :

- NPT/API Theads
- Socket welding
- Flanges

Specific dimensions, contact us



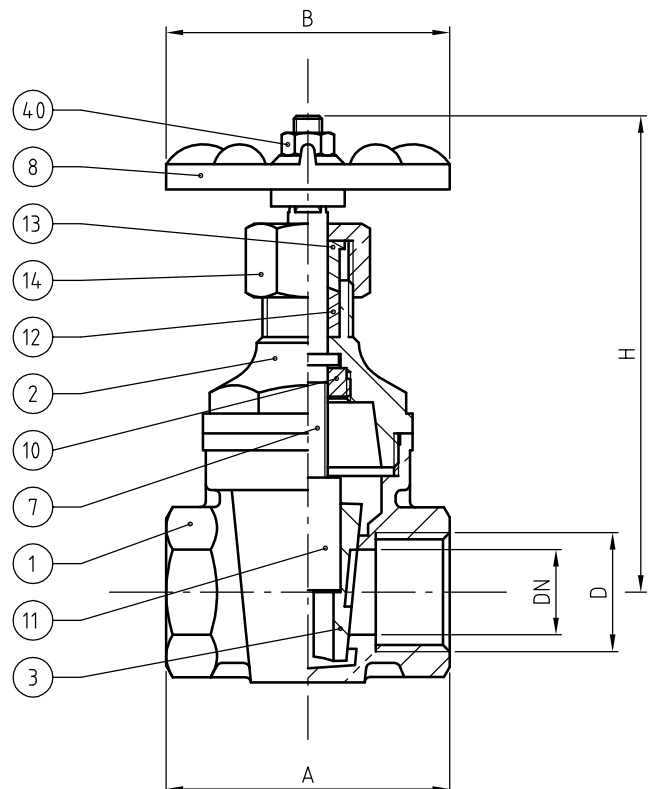
Subject to modifications

NOMENCLATURE

Rep	Qty	Designation	Material
1	1	BODY	ALUMINIUM BRONZE
2	1	BONNET	ALUMINIUM BRONZE
3	1	DOUBLE WEDGE DISC	ALUMINIUM BRONZE
7	1	STEM	ALUMINIUM BRONZE
8	1	HANDWHEEL	LIGHT ALLOY
10	1	STEM NUT	ALUMINIUM BRONZE
12	1	PACKING	FIBER+GRAPHITE / PTFE
13	1	PACKING GLAND	ALUMINIUM BRONZE
14	1	PACKING NUT	ALUMINIUM BRONZE
40	1	NUT	STAINLESS STEEL

DIMENSIONS

DN	15	20	25	32	40	50
A (mm)	50	58	68	76	80	90
B (mm)	50	60	60	70	80	80
D	1/2"	3/4"	1"	1 1/4"	1 1/2"	2"
H (mm)	85	92	110	120	135	158
Weight (kg)	0.320	0.550	0.850	1.170	1.750	2.600



REFERENCES NORMS :

- Material : NF EN 1982 - NF EN 12163 - NF EN 12164 - NF EN 10272
- Testing & checking : NF EN 12266-1/-2 (bench test)

Ref. instruction of assembling : 0904DA121E

Ref. instruction of operation : 0904DA084E

Mounting & assembly guides are available on our website.

These data are for information and can be modified without notice. It is not up to us to appreciate specifications. It is up to the customer to verify the adequacy between the equipment chosen and the real conditions of use.