



AUTEXIER

MANUFACTURER OF INDUSTRIAL VALVES

93 Rue Louis Blanc - 02300 CHAUNY - FRANCE
Phone : +33 (0)3 23 52 02 86 Fax : +33 (0)3 23 39 52 28
Website : www.autexier.fr

Ref. AU89 Family: 07

Rev. 12

Date : 12 May 2021

Page 1/1

ALUMINIUM BRONZE SINGLE WEDGE GATE VALVE

Ref. AU89Ø

SERIES :

- AU89
 - Inlet/outlet female threaded
- For material compatibility, contact us*



CARACTERISTICS :

- PN20 (Nominal Pressure)
- ENDS : Female GAZ threads
- MATERIAL : ALUMINIUM BRONZE CC333G

MAXIMUM CONDITIONS OF USE :

- 20 bar of -10°C to 225°C

APPLICATIONS :

- Water-based fluids
- Steam (8 bar)
- Seawater

OPTIONS :

- NPT/API connection
- Socket welding
- Flanges

Specific dimensions, contact us



Subject to modifications

NOMENCLATURE

Rep	Qty	Designation	Material
1	1	BODY	ALUMINIUM BRONZE
2	1	BONNET	ALUMINIUM BRONZE
3	1	SINGLE WEDGE DISC	ALUMINIUM BRONZE
7	1	STEM	ALUMINIUM BRONZE
8	1	HANDWHEEL	LIGHT ALLOY
10	1	STEM NUT	ALUMINIUM BRONZE
12	1	PACKING	LATTYGRAF / PTFE
13	1	PACKING GLAND	ALUMINIUM BRONZE
14	1	PACKING NUT	ALUMINIUM BRONZE
40	1	NUT	STAINLESS STEEL

DIMENSIONS

DN	08	12	15	20	25	32	40	50	65	80	100
A (mm)	37	40	44	50	55	62	65	72	97	112	138
B (mm)	50	50	50	60	60	70	70	80	110	110	110
D	1/4"	3/8"	1/2"	3/4"	1"	1 1/4"	1 1/2"	2"	2 1/2"	3"	4"
H (mm)	80	80	86	95	105	125	131	156	190	225	316
Weight (Kg)	0.170	0.212	0.297	0.425	0.552	0.850	1.020	1.400	3.570	5.567	10.100

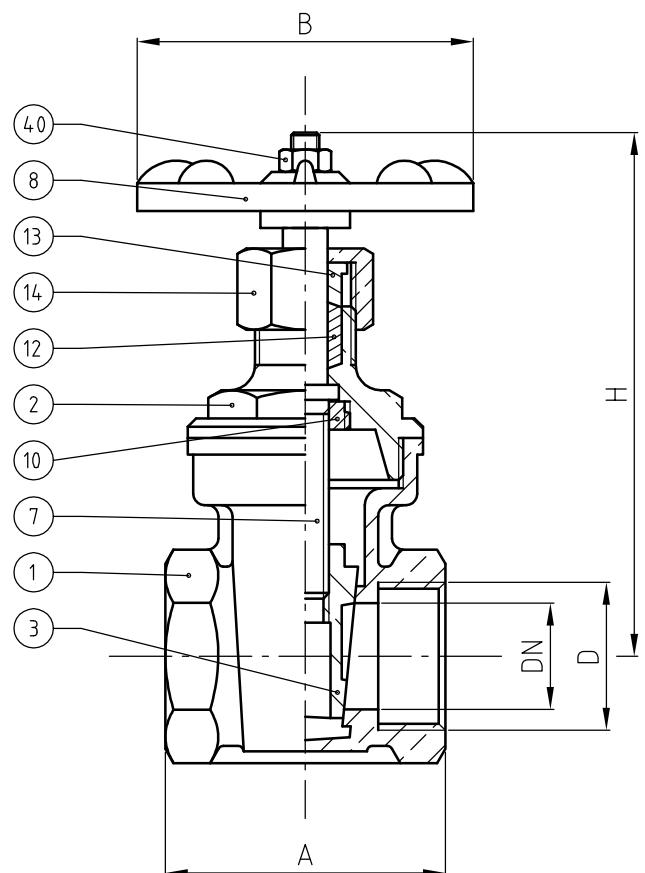
REFERENCES NORMS :

- Material : NF EN 1982 - NF EN 12163 - NF EN 12164 - NF EN 10272
- Testing & checking : NF EN 12266-1/-2 (bench test)

Ref. instruction of assembling : 0904DA121E

Ref. instruction of operation : 0904DA084E

Mounting & assembly guides are available on our website.



These data are for information and can be modified without notice. It is not up to us to appreciate specifications. It is up to the customer to verify the adequacy between the equipment chosen and the real conditions of use.