



AUTEXIER

MANUFACTURER OF INDUSTRIAL VALVES

93 Rue Louis Blanc - 02300 CHAUNY - FRANCE
 Phone : +33 (0)3 23 52 02 86 Fax : +33 (0)3 23 39 52 28
 Website : www.autexier.fr

Ref. AU108 Family : 21

Rev. 06

Date : 14 Oct. 2022

Page 1/2

ALUMINIUM BRONZE STRAIGHT STRAINER

Ref. AU108.Ø

SERIES :

- AU108

For material compatibility, contact us

CARACTERISTICS :

- PN30 (Nominal Pressure)
- ENDS : Flanges ISO PN16
- MATERIAL : ALUMINIUM BRONZE CC333G

MAXIMUM CONDITIONS OF USE :

- 108.15 : 30 bar of -10°C to 225°C
- 108.Ø : 30 bar of -10°C to 200°C

APPLICATIONS :

- Water-based fluids
- Seawater

OPTIONS :

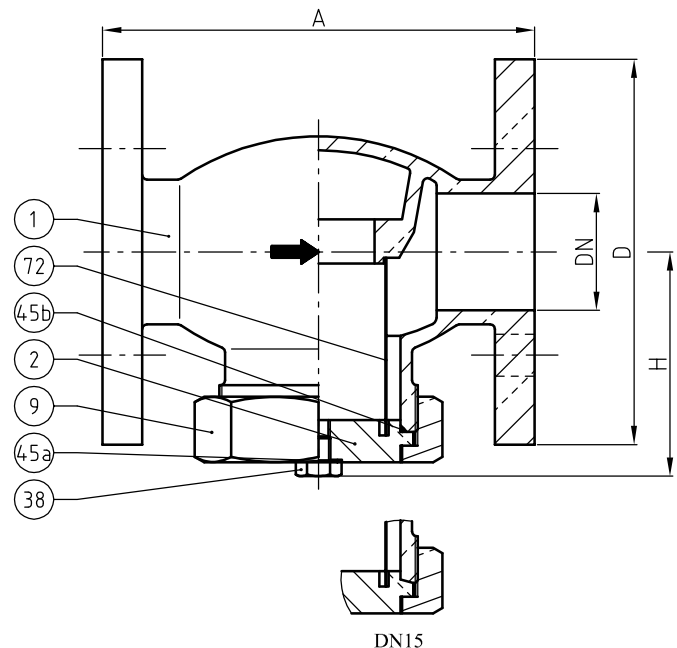
- Special drilling
- Material of strainer
- Mesh size on request
- Tap drain valve

Specific dimensions, contact us



Subject to modifications

NOMENCLATURE			
Rep	Qty	Designation	Material
1	1	BODY	ALUMINIUM BRONZE
2	1	BONNET	ALUMINIUM BRONZE
9	1	BONNET NUT	ALUMINIUM BRONZE
38	1	SCREW	ALUMINIUM BRONZE
45a	1	GASKET	PTFE
45b	1	O-RING (EXCEPT DN15)	FPM
72	1	SIEVE	SAINTLESS STEEL



REFERENCES NORMS :

- Material : NF EN 1982 - NF EN 12163 - NF EN 12164 - NF EN 10272
- Testing & checking : NF EN 12266-1/-2 (bench test)
- Face to face : NF E 29-353
- Flanges : NF EN 1092-3

Ref. instruction of assembling : 0904DA106E

Ref. instruction of operation : 0904DA107E

Mounting & assembly guides are available on our website.

DIMENSIONS				
DN	15	20	25	32
A (mm)	100	110	125	140
D (mm)	95	105	115	140
H (mm)	43	54	63	71
Weight (Kg)	1.590	2.230	3.040	4.130

These data are for information and can be modified without notice. It is not up to us to appreciate specifications. It is up to the customer to verify the adequacy between the equipment chosen and the real conditions of use.



AUTEXIER

MANUFACTURER OF INDUSTRIAL VALVES

93 Rue Louis Blanc - 02300 CHAUNY - FRANCE
 Phone : +33 (0)3 23 52 02 86 Fax : +33 (0)3 23 39 52 28
 Website : www.autexier.fr

Ref. AU108 Family : 21

Rev. 06

Date : 14 Oct. 2022

Page 2/2

ALUMINIUM BRONZE STRAIGHT STRAINER

Ref. AU108.Ø

SERIES :

- AU108

For material compatibility, contact us

CHARACTERISTICS :

- PN30 (Nominal Pressure)

- ENDS : Flanges ISO PN16

- MATERIAL : ALUMINIUM BRONZE CC333G

MAXIMUM CONDITIONS OF USE :

- 30 bar of -10°C to 200°C

APPLICATIONS :

- Water-based fluids

- Seawater

OPTIONS :

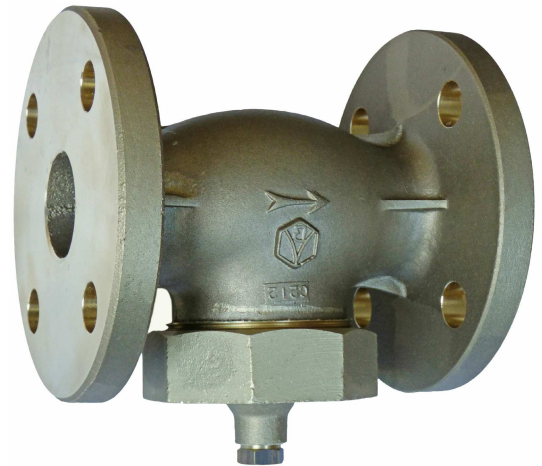
- Special drilling

- Material of strainer

- Mesh size on request

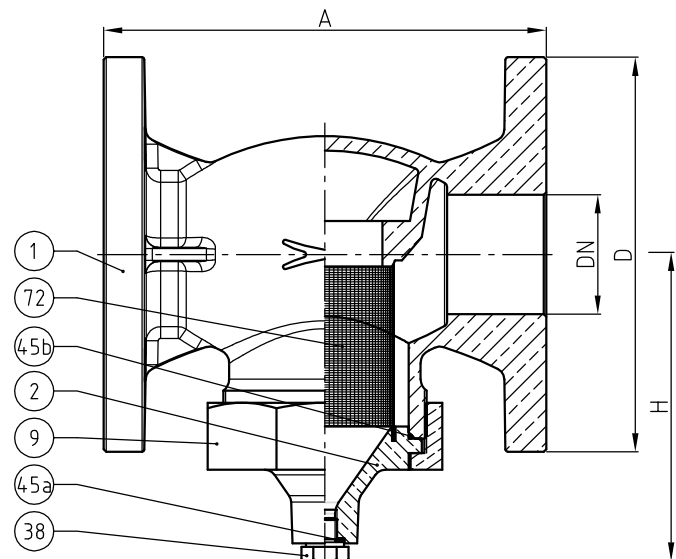
- Tap drain valve

Specific dimensions, contact us



Subject to modifications

NOMENCLATURE			
Rep	Qty	Designation	Material
1	1	BODY	ALUMINIUM BRONZE
2	1	BONNET	ALUMINIUM BRONZE
9	1	BONNET NUT	ALUMINIUM BRONZE
38	1	SCREW	ALUMINIUM BRONZE
45a	1	O-RING	FPM
45b	1	GASKET	PTFE
72	1	SIEVE	SAINTLESS STEEL



REFERENCES NORMS :

- Material : NF EN 1982 - NF EN 12163 - NF EN 12164 - NF EN 10272

- Testing & checking : NF EN 12266-1/-2 (bench test)

- Face to face : NF E 29-353

- Flanges : NF EN 1092-3

Ref. instruction of assembling : 0904DA106E

Ref. instruction of operation : 0904DA107E

Mounting & assembly guides are available on our website.

DIMENSIONS		
DN	40	50
A (mm)	160	185
D (mm)	150	165
H (mm)	100	124
Weight (Kg)	6.850	8.000

These data are for information and can be modified without notice. It is not up to us to appreciate specifications. It is up to the customer to verify the adequacy between the equipment chosen and the real conditions of use.