



AUTEXIER

MANUFACTURER OF INDUSTRIAL VALVES

93 Rue Louis Blanc - 02300 CHAUNY - FRANCE
 Phone : +33 (0)3 23 52 02 86 Fax : +33 (0)3 23 39 52 28
 Website : www.autexier.fr

Ref. AU102 Family : 13

Rev. 01

Date : 14 Oct. 2021

Page 1/1

SCREW DOWN NON-RETURN VALVE (SDNR) WITH FLANGES

Ref. AU102CØCL / AU102JØCL / AU102TØCL

SERIES :

- AU102CØCL : Contact Aluminium Bronze / Aluminium Bronze
- AU102JØCL : Contact Aluminium Bronze / Jenkins
- AU102TØCL : Contact Aluminium Bronze / PTFE
- Outside rising stem

For material compatibility, contact us

CARACTERISTICS :

- PN30 (Nominal Pressure)
- ENDS : ISO PN16 Flanges
- MATERIAL : ALUMINIUM BRONZE CC333G

MAXIMUM CONDITIONS OF USE :

- 30 bar of -10°C to 200°C

APPLICATIONS :

- Water-based fluids
- Steam (16 bar)
- Non toxic gase

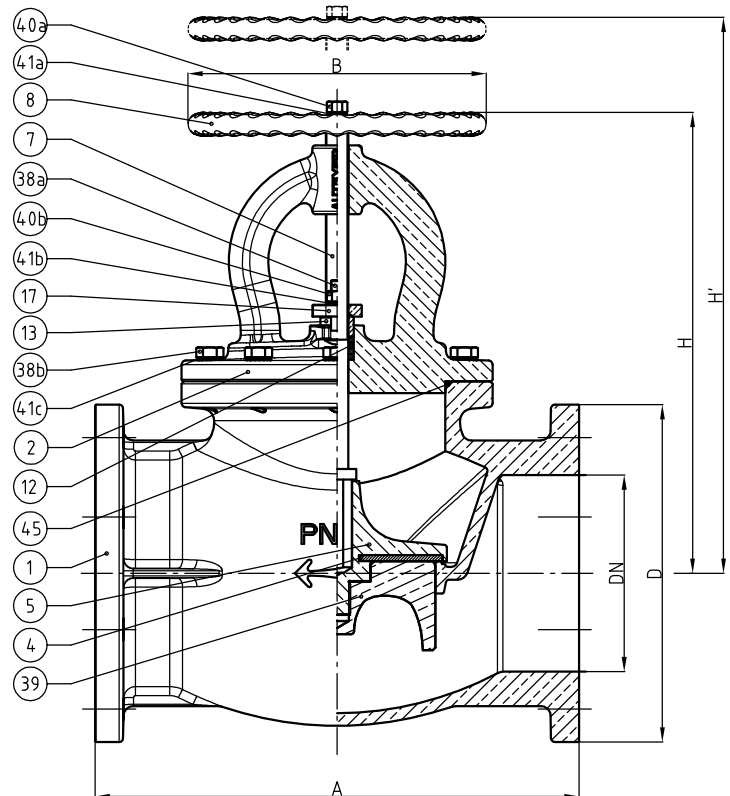
OPTIONS :

- Special drilling
- ASA 150 Flanges
- Plain flanges



Subject to modifications
 Photo for information only

NOMENCLATURE			
Rep	Qty	Designation	Material
1	1	BODY	ALUMINIUM BRONZE
2	1	BONNET	ALUMINIUM BRONZE
4	1	DISC	ALU. BRONZE / JENKINS / PTFE
5	1	DISC HOLDER	ALUMINIUM BRONZE
7	1	STEM	ALUMINIUM BRONZE
8	1	HANDWHEEL	EPOXY STEEL / ALU. BRONZE
12	1	PACKING	FIBER+GRAPHITE
13	1	PACKING GLAND	ALUMINIUM BRONZE
17	1	PACKING FLANGE	ALUMINIUM BRONZE
38a	2	SCREW	STAINLESS STEEL
38b	n	SCREW	STAINLESS STEEL
39	1	FIN	ALUMINIUM BRONZE
40a	1	NUT	STAINLESS STEEL
40b	2	NUT	STAINLESS STEEL
41a	1	WASHER	STAINLESS STEEL
41b	2	WASHER	STAINLESS STEEL
41c	n	WASHER	STAINLESS STEEL
45	1	O-RING	FPM



REFERENCES NORMS :

- Material : NF EN 1982 - NF EN 12163 - NF EN 12164 - NF EN 10272
- Testing & checking : NF EN 12266-1/-2 (bench test)
- Face to face : NF EN 558 - Series 07
- Flanges : NF EN 1092-3

Ref. instruction of assembling : 0904DA124E

Ref. instruction of operation : 0904DA088E

Mounting & assembly guides are available on our website.

DIMENSIONNEL				
DN	80	100	150	200
A (mm)	254	305	406	521
D (mm)	200	220	285	340
H (mm)	300	360	430	480
H' (mm)	355	425	500	605
n	8	8	8	10
Weight (Kg)	21.840	30.650	75.560	116.890

These data are for information and can be modified without notice. It is not up to us to appreciate specifications. It is up to the customer to verify the adequacy between the equipment chosen and the real conditions of use.