



AUTEXIER

MANUFACTURER OF INDUSTRIAL VALVES

93 Rue Louis Blanc - 02300 CHAUNY - FRANCE
 Phone : +33 (0)3 23 52 02 86 Fax : +33 (0)3 23 39 52 28
 Website : www.autexier.fr

Ref. A602 Family : 47

Rev. 07

Date : 17 March 2022

Page 1/2

BRONZE BUTTERFLY VALVE

Ref. A602.Ø

SERIES :

- A602

For material compatibility, contact us

CHARACTERISTICS :

- PN16 (Nominal Pressure)
- JUNCTION : ISO PN10 / PN16
- MATERIAL : BRONZE CC491K

MAXIMUM CONDITIONS OF USE :

- 16 bar of -15°C to 100°C

APPLICATIONS :

- Water-based fluids
- Water

OPTIONS :

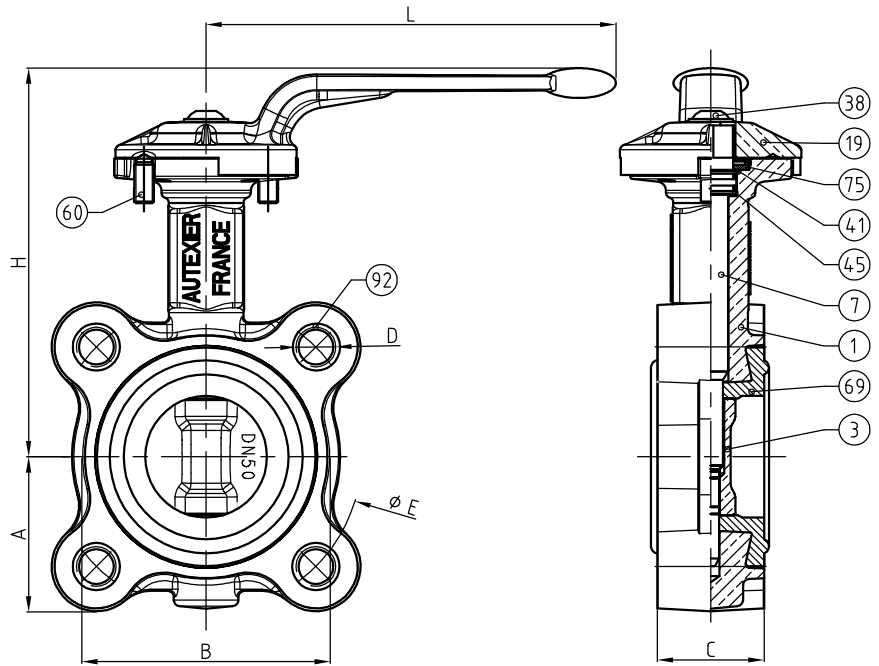
- EPDM, FPM or NBR Cuff
- Junction ISO PN20 (ANSI CL150)
- Gearbox (A602MØ)

Specific dimensions, contact us



*Subject to modifications
 Photo for information only*

NOMENCLATURE			
Rep	Qty	Designation	Material
1	1	BODY	BRONZE
3	1	WEDGE DISC	BRONZE
7	1	STEM	ALUMINIUM BRONZE
19	1	HANDLE	BRONZE
38	1	SCREW	STAINLESS STEEL
41	1	WASHER	ALUMINIUM BRONZE
45	2	O-RING	FPM
60	2	SPRING PLUNGERS	STAINLESS STEEL
69	1	CUFF	EPDM / FPM / NBR
75	1	HOUSING RINGS	STAINLESS STEEL
92	4	INSERT	ALUMINIUM BRONZE



DIMENSIONS				
DN	32	40	50	65
A (mm)	53	56	62	69
B (mm)	78	76	100	108
C (mm)	33	33	43	46
D (mm)	4×M16	4×M16	4×M16	4×M16
E (mm)	100	110	125	145
H (mm)	144	147	157	172
L (mm)	165	165	165	165
Base ISO	F05	F05	F05	F05
Maximum torque (N.m)	12	15	17	25
Weight (Kg)	--	3.150	4.220	4.860

REFERENCES NORMS :

- Material : NF EN 1982 - NF EN 12163 - NF EN 12164 - NF EN 10272
- Testing & checking : NF EN 12266-1/-2 (bench test)
- Face to face : NF EN 558 - Series 20
- Shell design strength : NF EN 12516-3 V2003

Ref. instruction of assembling : 0904DA113E

Ref. instruction of operation : 0904DA114E

Mounting & assembly guides are available on our website.

These data are for information and can be modified without notice. It is not up to us to appreciate specifications. It is up to the customer to verify the adequacy between the equipment chosen and the real conditions of use.



AUTEXIER

MANUFACTURER OF INDUSTRIAL VALVES

93 Rue Louis Blanc - 02300 CHAUNY - FRANCE
 Phone : +33 (0)3 23 52 02 86 Fax : +33 (0)3 23 39 52 28
 Website : www.autexier.fr

Ref. A602 Family : 47

Rev. 07

Date : 17 March 2022

Page 2/2

BRONZE BUTTERFLY VALVE Ref. A602.Ø

SERIES :

- A602

For material compatibility, contact us

CHARACTERISTICS :

- PN16 (Nominal Pressure)
- JUNCTION : ISO PN10 / PN16
- MATERIAL : BRONZE CC491K

MAXIMUM CONDITIONS OF USE :

- 16 bar of -15°C to 100°C

APPLICATIONS :

- Water-based fluids
- Water

OPTIONS :

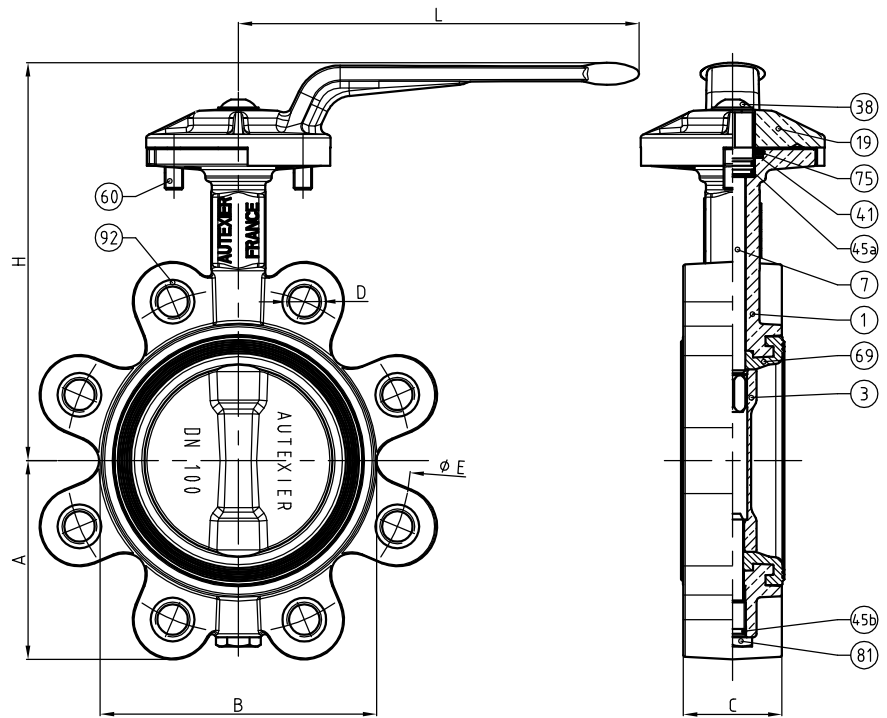
- EPDM, FPM or NBR Cuff
- Junction ISO PN20 (ANSI CL150)
- Gearbox (A602MØ)

Specific dimensions, contact us



*Subject to modifications
 Photo for information only*

NOMENCLATURE			
Rep	Qty	Designation	Material
1	1	BODY	BRONZE
3	1	WEDGE DISC	BRONZE
7	1	STEM	ALUMINIUM BRONZE
19	1	HANDLE	BRONZE
38	1	SCREW	STAINLESS STEEL
41	1	WASHER	ALUMINIUM BRONZE
45a	3	O-RING	FPM
45b	3	O-RING	FPM
60	1	SPRING PLUNGERS	STAINLESS STEEL
69	1	CUFF	EPDM / FPM / NBR
75	1	HOUSING RINGS	STAINLESS STEEL
81	1	AXIS	ALUMINIUM BRONZE
92	8	INSERT	ALUMINIUM BRONZE



DIMENSIONS		
DN	80	100
A (mm)	94	108
B (mm)	124	150
C (mm)	46	52
D (mm)	8×M16	8×M16
E (mm)	160	180
H (mm)	205	216
L (mm)	218	218
Base ISO	F07	F07
Maximum torque (N.m)	28	50
Weight (Kg)	--	--

REFERENCES NORMS :

- Material : NF EN 1982 - NF EN 12163 - NF EN 12164 - NF EN 10272
- Testing & checking : NF EN 12266-1/-2 (bench test)
- Face to face : NF EN 558 - Series 20
- Shell design strength : NF EN 12516-3 V2003

Ref. instruction of assembling : 0904DA113E

Ref. instruction of operation : 0904DA114E

Mounting & assembly guides are available on our website.

These data are for information and can be modified without notice. It is not up to us to appreciate specifications. It is up to the customer to verify the adequacy between the equipment chosen and the real conditions of use.