



AUTEXIER

MANUFACTURER OF INDUSTRIAL VALVES

93 Rue Louis Blanc - 02300 CHAUNY - FRANCE
 Phone : +33 (0)3 23 52 02 86 Fax : +33 (0)3 23 39 52 28
 Website : www.autexier.fr

Ref. A601 Family : 47

Rev. 02

Date : 04 May 2021

Page 1/3

BRONZE BUTTERFLY VALVE Ref. A601MØ

SERIES :

- A601

For material compatibility, contact us

CHARACTERISTICS :

- PN16 (Nominal Pressure)
- JUNCTION : ISO PN10/PN16 & ISO PN20 (ANSI CL150)
- MATERIAL : BRONZE CC491K

MAXIMUM CONDITIONS OF USE :

- 16 bar of -15°C to 100°C

APPLICATIONS :

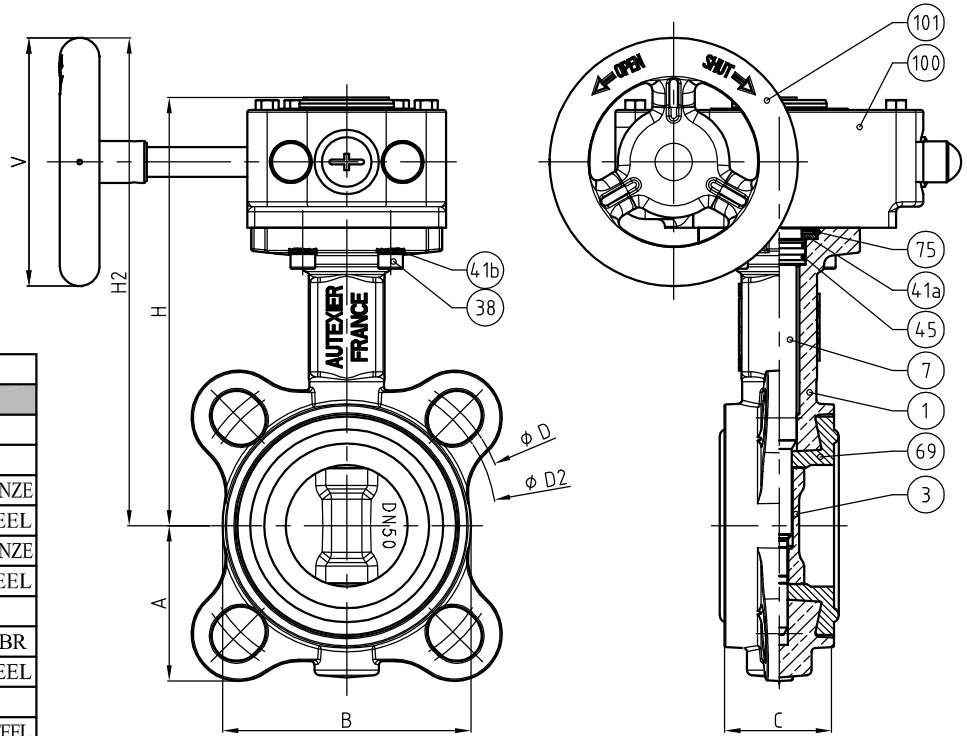
- Water-based fluids
- Water

OPTIONS :

- EPDM, FPM or NBR Cuff
- Specific dimensions, contact us*



Subject to modifications



NOMENCLATURE

Rep	Qty	Designation	Material
1	1	BODY	BRONZE
3	1	WEDGE DISC	BRONZE
7	1	STEM	ALUMINIUM BRONZE
38	4	SCREW	STAINLESS STEEL
41a	1	WASHER	ALUMINIUM BRONZE
41b	4	WASHER	STAINLESS STEEL
45	2	O-RING	FPM
69	1	CUFF	EPDM / FPM / NBR
75	1	HOUSING RINGS	STAINLESS STEEL
100	1	GEARBOX	CAST IRON
101	1	HANDWHEEL	EPOXY COATED STEEL

DIMENSIONS

DN	32	40	50	65
A (mm)	54	58	62	72
B (mm)	73	80	100	112
C (mm)	33	33	43	46
D (mm)	100	110	125	145
D2 (mm)	88.9	98.4	120.6	139.7
H (mm)	160	163	173	188
H2 (mm)	184	187	197	212
V (mm)	100	100	100	100
Base ISO	F05	F05	F05	F05
Maximum torque (N.m)	12	15	17	25
Weight (Kg)	3.950	4.000	4.650	5.200

REFERENCES NORMS :

- Material : NF EN 1982 - NF EN 12163 - NF EN 12164 - NF EN 10272
- Testing & checking : NF EN 12266-1/-2 (bench test)
- Face to face : NF EN 558 - Series 20
- Shell design strength : NF EN 12516-3 V2003

Ref. instruction of assembling : 0904DA113E

Ref. instruction of operation : 0904DA114E

Mounting & assembly guides are available on our website.

These data are for information and can be modified without notice. It is not up to us to appreciate specifications. It is up to the customer to verify the adequacy between the equipment chosen and the real conditions of use.



AUTEXIER

MANUFACTURER OF INDUSTRIAL VALVES

93 Rue Louis Blanc - 02300 CHAUNY - FRANCE
 Phone : +33 (0)3 23 52 02 86 Fax : +33 (0)3 23 39 52 28
 Website : www.autexier.fr

Ref. A601 Family : 47

Rev. 02

Date : 04 May 2021

Page 2/3

BRONZE BUTTERFLY VALVE Ref. A601MØ

SERIES :

- A601

For material compatibility, contact us

CHARACTERISTICS :

- PN16 (Nominal Pressure)
- JUNCTION : ISO PN10/PN16 & ISO PN20 (ANSI CL150)
- MATERIAL : BRONZE CC491K

MAXIMUM CONDITIONS OF USE :

- 16 bar of -15°C to 100°C

APPLICATIONS :

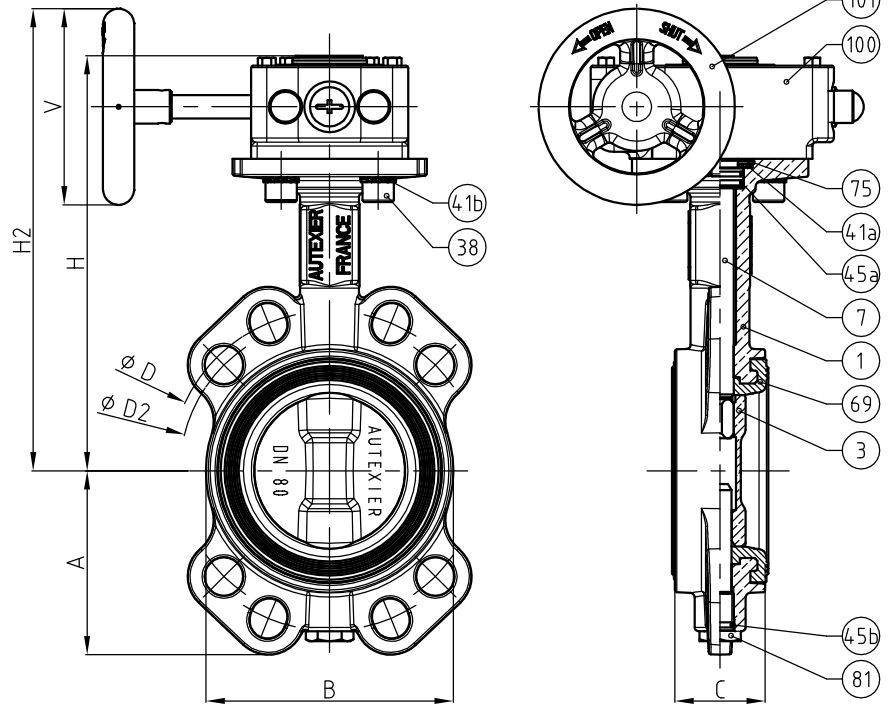
- Water-based fluids
- Water

OPTIONS :

- EPDM, FPM or NBR Cuff
- Specific dimensions, contact us*



Subject to modifications



NOMENCLATURE			
Rep	Qty	Designation	Material
1	1	BODY	BRONZE
3	1	WEDGE DISC	BRONZE
7	1	STEM	ALUMINIUM BRONZE
38	4	SCREW	STAINLESS STEEL
41a	1	WASHER	ALUMINIUM BRONZE
41b	4	WASHER	STAINLESS STEEL
45a	3	O-RING	FPM
45b	3	O-RING	FPM
69	1	CUFF	EPDM / FPM / NBR
75	1	HOUSING RINGS	STAINLESS STEEL
81	1	AXIS	ALUMINIUM BRONZE
100	1	GEARBOX	CAST IRON
101	1	HANDWHEEL	EPOXY COATED STEEL

DIMENSIONS	
DN	80
A (mm)	94
B (mm)	126
C (mm)	46
D (mm)	160
D2 (mm)	152.4
H (mm)	212
H2 (mm)	235
V (mm)	100
Base ISO	F07
Maximum torque (N.m)	28
Weight (Kg)	5.950

REFERENCES NORMS :

- Material : NF EN 1982 - NF EN 12163 - NF EN 12164 - NF EN 10272
- Testing & checking : NF EN 12266-1/-2 (bench test)
- Face to face : NF EN 558 - Series 20
- Shell design strength : NF EN 12516-3 V2003

Ref. instruction of assembling : 0904DA113E

Ref. instruction of operation : 0904DA114E

Mounting & assembly guides are available on our website.

These data are for information and can be modified without notice. It is not up to us to appreciate specifications. It is up to the customer to verify the adequacy between the equipment chosen and the real conditions of use.



AUTEXIER

MANUFACTURER OF INDUSTRIAL VALVES

93 Rue Louis Blanc - 02300 CHAUNY - FRANCE
 Phone : +33 (0)3 23 52 02 86 Fax : +33 (0)3 23 39 52 28
 Website : www.autexier.fr

Ref. A601 Family : 47

Rev. 01

Date : 17 March 2021

Page 3/3

BRONZE BUTTERFLY VALVE Ref. A601MØ

SERIES :

- A601

For material compatibility, contact us

CHARACTERISTICS :

- PN16 / PN10 (Nominal Pressure)
- JUNCTION : ISO PN10/PN16 & ISO PN20 (ANSI CL150)
- MATERIAL : BRONZE CC491K

MAXIMUM CONDITIONS OF USE :

- 16 bar of -15°C to 100°C
- 10 bar of -15°C to 100°C (DN200 & DN250)

APPLICATIONS :

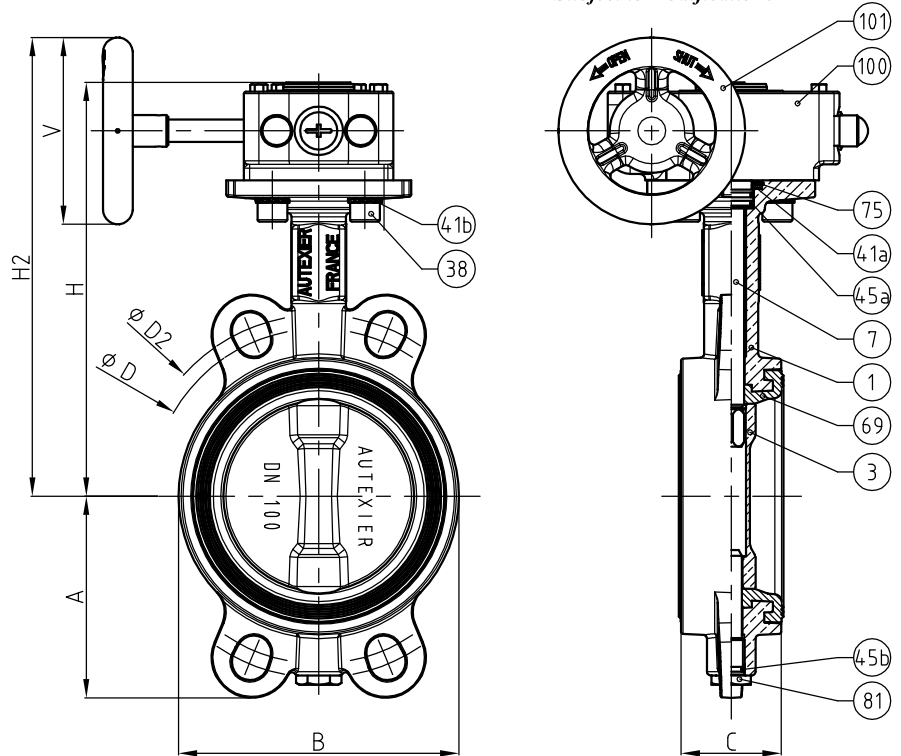
- Water-based fluids
- Water

OPTIONS :

- EPDM, FPM or NBR Cuff
- Specific dimensions, contact us*



Subject to modifications



NOMENCLATURE

Rep	Qty	Designation	Material
1	1	BODY	BRONZE
3	1	WEDGE DISC	BRONZE
7	1	STEM	ALUMINIUM BRONZE
38	4	SCREW	STAINLESS STEEL
41a	1	WASHER	ALUMINIUM BRONZE
41b	4	WASHER	STAINLESS STEEL
45a	3	O-RING	FPM
45b	3	O-RING	FPM
69	1	CUFF	EPDM / FPM / NBR
75	1	HOUSING RINGS	STAINLESS STEEL
81	1	AXIS	ALUMINIUM BRONZE
100	1	GEARBOX	CAST IRON
101	1	HANDWHEEL	EPOXY COATED STEEL

DIMENSIONS

DN	100	125	150	200	250*
A (mm)	108	124	134	170	206
B (mm)	150	181	209	257	330
C (mm)	52	56	56	60	68
D (mm)	180	210	240	295	355
D2 (mm)	190.5	215.9	241.3	298.4	362
H (mm)	222	235	247	304	351
H2 (mm)	245	258	270	328	471
V (mm)	125	125	160	160	200
Base ISO	F07	F07	F07	F07	F10
Maximum torque (N.m)	50	85	110	140	270
Weight (Kg)	6.800	8.950	10.450	--	28.350

**Under reserve*

These data are for information and can be modified without notice. It is not up to us to appreciate specifications. It is up to the customer to verify the adequacy between the equipment chosen and the real conditions of use.

Ref. instruction of assembling : 0904DA113E

Ref. instruction of operation : 0904DA114E

Mounting & assembly guides are available on our website.