



AUTEXIER

MANUFACTURER OF INDUSTRIAL VALVES

93 Rue Louis Blanc - 02300 CHAUNY - FRANCE
Phone : +33 (0)3 23 52 02 86 Fax : +33 (0)3 23 39 52 28
Website : www.autexier.fr

Ref. 91 Family : 09

Rev. 04

Date : 18 May 2021

Page 1/1

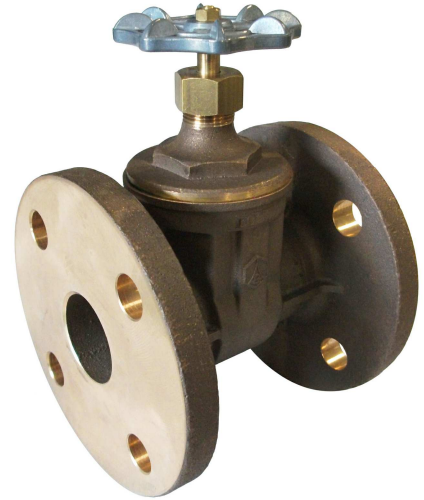
BRONZE DOUBLE WEDGE GATE VALVE WITH FLANGES

Ref. 91.Ø / 91TBØ

SERIES :

- 91
- Double wedge
- Taper seats

For material compatibility, contact us



CARACTERISTICS :

- PN20 (Nominal Pressure)
- ENDS : Flanges ISO PN10 / PN16
- MATERIAL : BRONZE CC491K

MAXIMUM CONDITIONS OF USE :

- 20 bar of -45°C to 225°C

APPLICATIONS :

- Water-based fluids
- Steam (8 bar)
- Seawater (91TB)

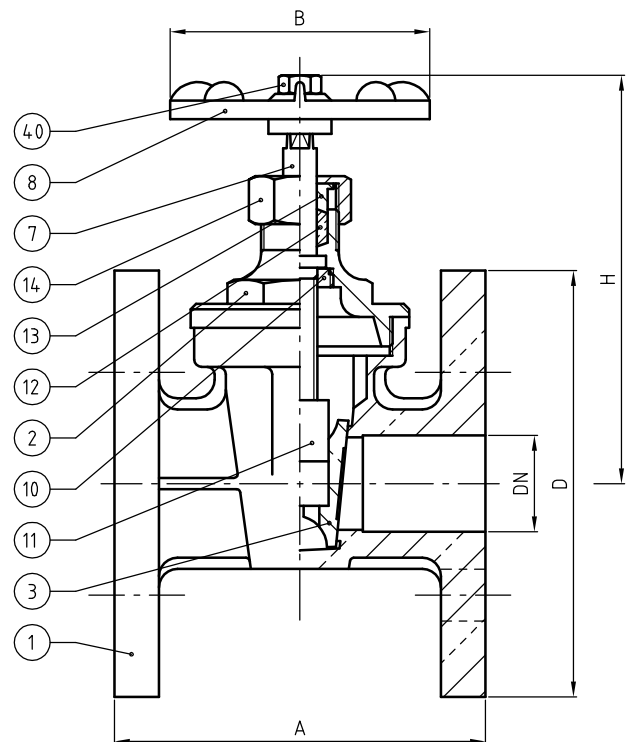
OPTIONS :

- Special drilling
- Special face-to-face

Specific dimensions, contact us

Subject to modifications

NOMENCLATURE			
Rep	Qty	Designation	Material
1	1	BODY	BRONZE
2	1	BONNET	BRONZE
3	1	DOUBLE WEDGE DISC	BRONZE
7	1	STEM	BRASS / ALUMINIUM BRONZE (91TB)
8	1	HANDWHEEL	LIGHT ALLOY
10	1	STEM NUT	BRASS / ALUMINIUM BRONZE (91TB)
11	1	WEDGE DISC NUT	BRONZE
12	1	PACKING	GRAPHITE + FIBER / PTFE
13	1	PACKING GLAND	BRASS / ALUMINIUM BRONZE (91TB)
14	1	PACKING NUT	BRASS / BRONZE (DN50 & 91TB)
40	1	NUT	BRASS / STAINLESS STEEL (91TB)



REFERENCES NORMS :

- Material : NF EN 1982 - NF EN 12163 - NF EN 12164 - NF EN 10272
- Testing & checking : NF EN 12266-1/-2 (bench test)

Ref. instruction of assembling : 0904DA121E

Ref. instruction of operation : 0904DA084E

Mounting & assembly guides are available on our website.

DIMENSIONNS						
DN	15	20	25	32	40	50
A (mm)	80	90	100	110	136	142
B (mm)	60	60	60	70	80	80
D (mm)	95	105	115	140	150	165
H (mm)	84	95	110	120	137	155
Weight (kg)	1.400	2.030	2.900	4.350	6.000	8.000

These data are for information and can be modified without notice. It is not up to us to appreciate specifications. It is up to the customer to verify the adequacy between the equipment choosen and the real conditions of use.