



AUTEXIER

MANUFACTURER OF INDUSTRIAL VALVES

93 Rue Louis Blanc - 02300 CHAUNY - FRANCE
 Phone : +33 (0)3 23 52 02 86 Fax : +33 (0)3 23 39 52 28
 Website : www.autexier.fr

Ref. 90 Family : 07

Rev. 07

Date : 12 May 2021

Page 1/1

BRONZE DOUBLE WEDGE GATE VALVE

Ref. 90Ø / 90BØ / 90TBØ

SERIES :

- 90
 - Inlet/outlet female threaded
- For material compatibility, contact us*

CHARACTERISTICS :

- PN20 (Nominal Pressure)
- ENDS : GAZ Threads
- MATERIAL : BRONZE CC491K

MAXIMUM CONDITIONS OF USE :

- 20 bar of -45°C to 225°C

APPLICATIONS :

- Water-based fluids
- Steam
- Seawater (90TB)

OPTIONS :

- NPT/API Theads
- Socket welding
- Flanges

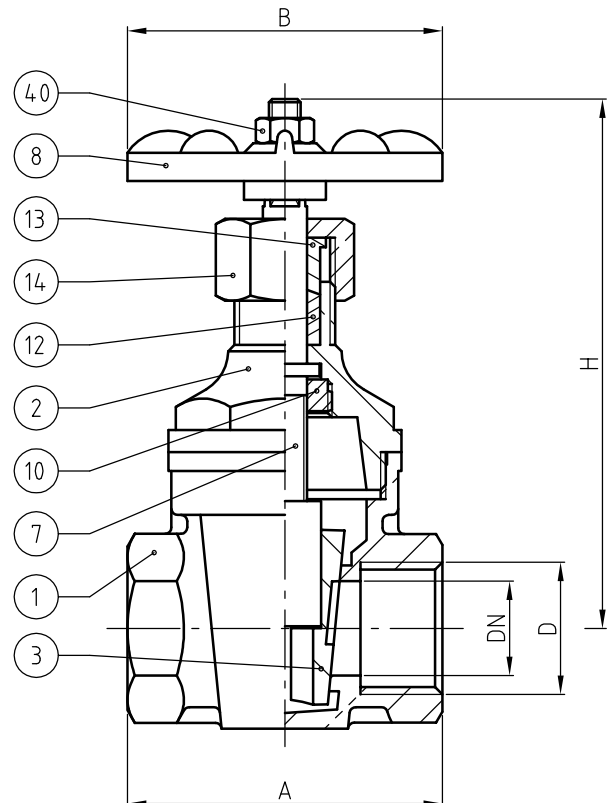
Specific dimensions, contact us



Subject to modifications

NOMENCLATURE			
Rep	Qty	Designation	Material
1	1	BODY	BRONZE
2	1	BONNET	BRONZE
3	1	DOUBLE WEDGE DISC	BRONZE
7	1	STEM	BRASS/ALUMINIUMBRONZE (90TB)
8	1	HANDWHEEL	LIGHT ALLOY
10	1	STEM NUT	BRASS/ALUMINIUMBRONZE (90TB)
12	1	PACKING	FIBER+GRAPHITE / PTFE
13	1	PACKING GLAND	BRASS/ALUMINIUMBRONZE (90TB)
14	1	PACKING NUT	BRASS/ALUMINIUMBRONZE (90TB)
40	1	NUT	BRASS / STAINLESS STEEL (90TB)

DIMENSIONS								
DN	08	12	15	20	25	32	40	50
A (mm)	43	45	50	58	68	76	80	90
B (mm)	50	50	50	60	60	70	80	80
D	1/4"	3/8"	1/2"	3/4"	1"	1 1/4"	1 1/2"	2"
H (mm)	80	80	85	92	110	120	135	158
Weight (kg)	0.300	0.300	0.350	0.600	0.950	1.300	1.950	2.850



REFERENCES NORMS :

- Material : NF EN 1982 - NF EN 12163 - NF EN 12164 - NF EN 10272
- Testing & checking : NF EN 12266-1/-2 (bench test)

Ref. instruction of assembling : 0904DA121E

Ref. instruction of operation : 0904DA084E

Mounting & assembly guides are available on our website.

These data are for information and can be modified without notice. It is not up to us to appreciate specifications. It is up to the customer to verify the adequacy between the equipment chosen and the real conditions of use.