



# AUTEXIER

MANUFACTURER OF INDUSTRIAL VALVES

93 Rue Louis Blanc - 02300 CHAUNY - FRANCE  
 Phone : +33 (0)3 23 52 02 86 Fax : +33 (0)3 23 39 52 28  
 Website : www.autexier.fr

Ref. 3184 Family : 22

Rev. 02

Date : 18 May 2021

Page 1/1

## BRONZE VISUAL LEVEL CONTROLLER - SUPERIOR PART

### Ref. 3184PSØ

**SERIES :**

- 3184PSØ
- Male inlet
- With safety push button
- Tap drain valve
- FPM packing
- PS = Superior Part

*For material compatibility, contact us*

**CHARACTERISTICS :**

- PN10 (Nominal Pressure)
- ENDS : Ø15 Conical GAZ Threads / Ø20 GAZ Threads
- MATERIAL : BRONZE CC491K

**MAXIMUM CONDITIONS OF USE :**

- 10 bar of -15°C to 200°C

**APPLICATIONS :**

- Water-based fluids
- Oil & gas

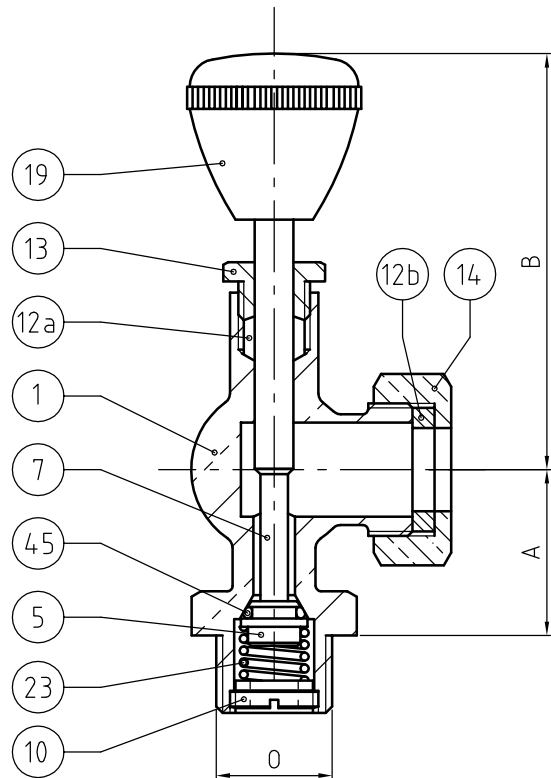
**OPTIONS :**

- Tube length - 0.2 to 6 meters
- Intermediate connection (274)
- Pyrex® or rhodoïd tube
- Glass protection
- NPT connection
- Tightness packing special oil & gas

*Specific dimensions, contact us*



*Subject to modifications*



NOMENCLATURE			
Rep	Qty	Designation	Material
1	1	BODY	BRONZE
5	1	DISC HOLDER	BRASS
7	1	STEM	BRASS
10	1	STEM NUT	BRASS
12a	1	PACKING	PTFE
12b	1	PACKING	FPM
13	1	PACKING GLAND	BRASS
14	1	PACKING NUT	BRASS
19	1	HANDLE	BAKELITE
23	1	SPRING	STAINLESS STEEL
45	1	GASKET	FPM

**REFERENCES NORMS :**

- Material : NF EN 1982 - NF EN 12163 - NF EN 12164 - NF EN 10272
- Testing & checking : NF EN 12266-1/-2 (bench test)

Ref. instruction of assembling : 0904DA140E

Ref. instruction of operation : 0904DA141E

**Mounting & assembly guides are available on our website.**

DIMENSIONS		
DN	15	20
A (mm)	30	30
B (mm)	75	80
O	R1/2	G3/4
Weight (Kg)	0.252	0.300

*These data are for information and can be modified without notice. It is not up to us to appreciate specifications. It is up to the customer to verify the adequacy between the equipment chosen and the real conditions of use.*