



AUTEXIER

MANUFACTURER OF INDUSTRIAL VALVES

93 Rue Louis Blanc - 02300 CHAUNY - FRANCE
Phone : +33 (0)3 23 52 02 86 Fax : +33 (0)3 23 39 52 28
Website : www.autexier.fr

Ref. 186 Family: 22

Rev. 06

Date: 27 Oct. 2016

Page 1/1

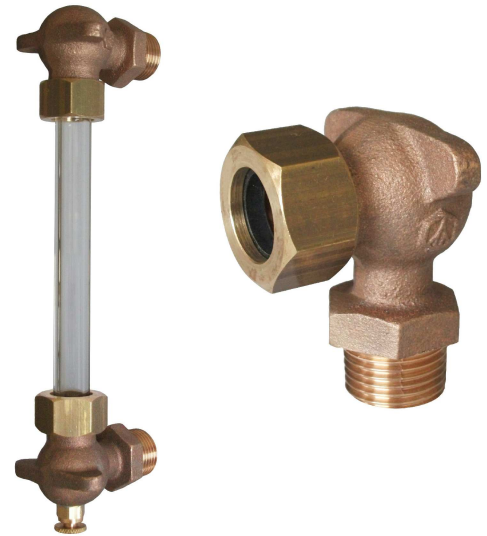
BRONZE VISUAL LEVEL CONTROLLER - SUPERIOR PART

Ref: 186PSØ

SERIES :

- 186 without handwheel
- PS = Superior Part

For material compatibility, contact us



CHARACTERISTICS :

- PN16 (Nominal Pressure)
- ENDS : Threads conic GAZ
- MATERIAL : BRONZE CC491K

MAXIMUM CONDITIONS OF USE :

- 16 bar of -30°C to 100°C

APPLICATIONS :

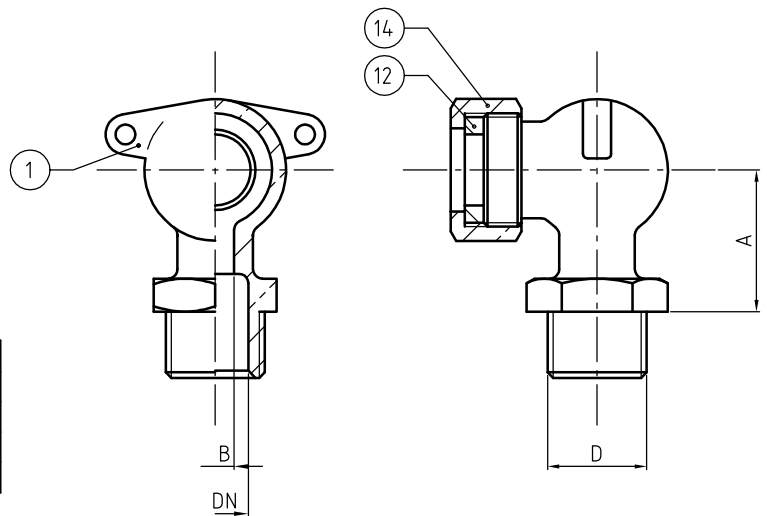
- Water-based fluids
- Oil & gas

OPTIONS :

- Tube length - 0.2 to 6 m
- Intermediate connection - ref : 274
- Pyrex® or rhodoïd tube
- Glass protection
- NPT connection
- Tightness packing special oil & gas
- FPM packing : extra cost

Specific dimensions, contact us

Subject to modifications



NOMENCLATURE			
Rep	Qty	Designation	Material
1	1	BODY	BRONZE
12	1	PACKING	NBR
14	1	PACKING NUT	BRASS

REFERENCES NORMS :

- Material : NF EN 1982 - NF EN 12163 - NF EN 12164 - NF EN 10272
- Testing & checking : NF EN 12266-1/-2 (bench test)

Ref. instruction of assembling : 0904DA140E

Ref. instruction of operation : 0904DA141E

Mounting & assembly guides are available on our website.

DIMENSIONS			
DN	12	15	20
A (mm)	30	30	30
B (mm)	8	8	8
D	3/8	1/2	3/4
Weight (Kg)	0.150	0.165	0.200

These data are for information and can be modified without notice. It is not up to us to appreciate specifications. It is up to the customer to verify the adequacy between the equipment choosen and the real conditions of use.