



# AUTEXIER

MANUFACTURER OF INDUSTRIAL VALVES

93 Rue Louis Blanc - 02300 CHAUNY - FRANCE  
 Phone : +33 (0)3 23 52 02 86 Fax : +33 (0)3 23 39 52 28  
 Website : www.autexier.fr

Ref. 184 Family : 22

Rev. 08

Date : 18 May 2021

Page 1/1

## BRONZE VISUAL LEVEL CONTROLLER - SUPERIOR PART

### Ref. 184PSØ

**SERIES :**

- 184 with handwheel
  - PS = Superior Part
- For material compatibility, contact us*

**CHARACTERISTICS :**

- PN16 (Nominal Pressure)
- ENDS : R1/2 Threads conic GAZ  
 G3/4 Threads GAZ
- MATERIAL : BRONZE CC491K

**MAXIMUM CONDITIONS OF USE :**

- 16 bar of -30°C to 100°C

**APPLICATIONS :**

- Water-based fluids
- Oil & gas

**OPTIONS :**

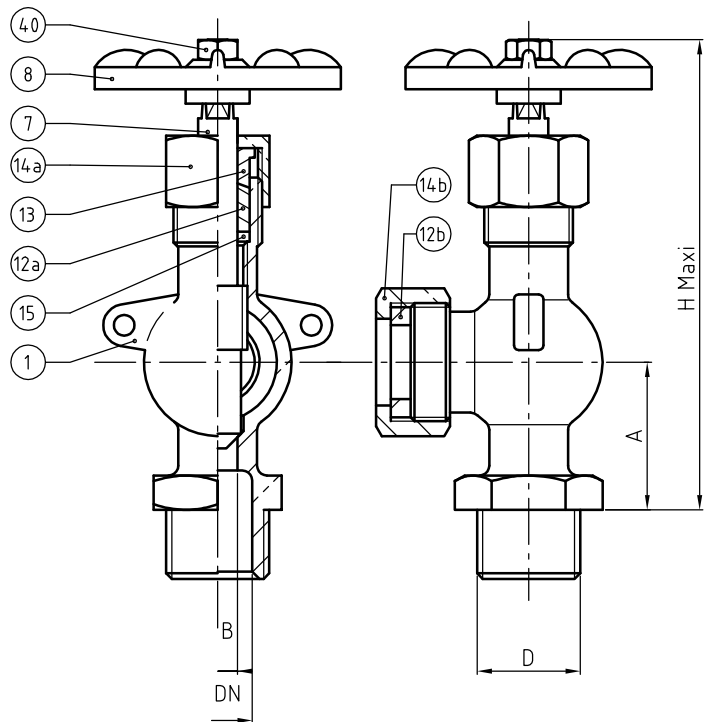
- Tube length - 0.2 to 6 m
- Intermediate connection - ref : 274
- Pyrex® or rhodoïd tube
- Glass protection
- NPT connection
- Tightness packing special oil & gas
- FPM packing : extra cost

*Specific dimensions, contact us*



*Subject to modifications*

NOMENCLATURE			
Rep	Qty	Designation	Material
1	1	BODY	BRONZE
7	1	STEM	BRASS
8	1	HANDWHEEL	LIGHT ALLOY
12a	1	PACKING	PTFE
12b	1	PACKING	NBR
13	1	PACKING GLAND	BRASS
14a	1	PACKING NUT	BRASS
14b	1	PACKING NUT	BRASS
15	1	THRUST DISC	BRASS
40	1	NUT	BRASS



**REFERENCES NORMS :**

- Material : NF EN 1982 - NF EN 12163 - NF EN 12164 - NF EN 10272
- Testing & checking : NF EN 12266-1/-2 (bench test)

Ref. instruction of assembling : 0904DA140E

Ref. instruction of operation : 0904DA141E

**Mounting & assembly guides are available on our website.**

DIMENSIONS		
DN	15	20
A (mm)	30	30
B (mm)	8	8
D	R1/2	G3/4
H (mm)	106	106
Weight (Kg)	0.280	0.310

*These data are for information and can be modified without notice. It is not up to us to appreciate specifications. It is up to the customer to verify the adequacy between the equipment chosen and the real conditions of use.*