



AUTEXIER

MANUFACTURER OF INDUSTRIAL VALVES

93 Rue Louis Blanc - 02300 CHAUNY - FRANCE
 Phone : +33 (0)3 23 52 02 86 Fax : +33 (0)3 23 39 52 28
 Website : www.autexier.fr

Ref. 102 Family : 13

Rev. 03

Date : 14 Oct. 2021

Page 1/1

SCREW DOWN NON-RETURN VALVE (SDNR) WITH FLANGES

Ref. 102CØCL / 102JØCL / 102TØCL

SERIES :

- 102CØCL : Contact Bronze / Bronze
- 102JØCL : Contact Bronze / Jenkins
- 102TØCL : Contact Bronze / PTFE
- Outside rising stem

For material compatibility, contact us

CHARACTERISTICS :

- PN30 (Nominal Pressure)
- ENDS : ISO PN16 flanges
- MATERIAL : BRONZE CC491K

MAXIMUM CONDITIONS OF USE :

- 102C15 : 30 bar of -45°C to 225°C / 102CØ : 30 bar of -15°C to 200°C
- 102J15 : 30 bar of -45°C to 200°C / 102JØ : 30 bar of -15°C to 200°C
- 102T15 : 30 bar of -45°C to 225°C / 102TØ : 30 bar of -15°C to 200°C

APPLICATIONS :

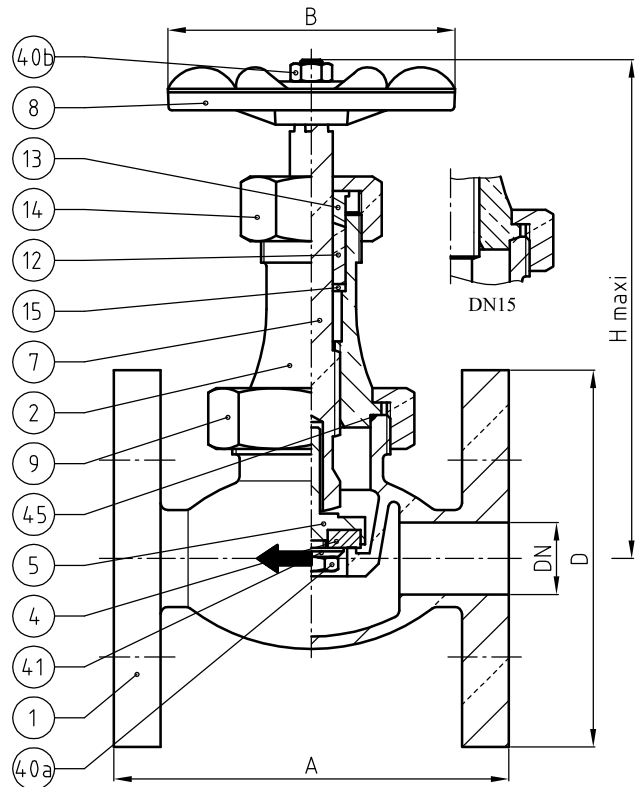
- Water-based fluids
- Steam (16 bar)
- Non-toxic gases

OPTIONS :

- Special drilling
- Specific dimensions, contact us*



Subject to modifications



NOMENCLATURE			
Rep	Qty	Designation	Material
1	1	BODY	BRONZE
2	1	BONNET	BRONZE
4	1	DISC	BRONZE / JENKINS / PTFE
5	1	DISC HOLDER	BRASS / BRONZE (DN25 to 50)
7	1	STEM	BRASS
8	1	HANDWHEEL	ZAMAK
9	1	BONNET NUT	BRONZE
12	1	PACKING	FIBER+GRAPHITE / PTFE
13	1	PACKING GLAND	BRASS
14	1	PACKING NUT	BRONZE
15	1	THRUST DISC	BRASS
40a	1	NUT	BRASS
40b	1	NUT	BRASS
41	1	WASHER	BRASS / STAINLESS STEEL (DN50)
45	1	O-RING (EXCEPT DN15)	FPM

REFERENCES NORMS :

- Material : NF EN 1982 - NF EN 12163 - NF EN 12164 - NF EN 10272
- Testing & checking : NF EN 12266-1/-2 (bench test)
- Face to face : NF E 29-353
- Flanges : NF EN 1092-3

Ref. instruction of assembling : 0904DA124E

Ref. instruction of operation : 0904DA088E

Mounting & assembly guides are available on our website.

DIMENSIONS							
DN	15	20	25	32	40	50	65*
A (mm)	100	110	125	140	160	185	185
B (mm)	70	80	90	90	110	110	110
D (mm)	95	105	115	140	150	165	185
H (mm)	120	155	170	190	215	250	250
Weight (Kg)	1.950	2.950	4.000	6.150	8.000	10.800	11.700

**DN50 with DN65 flanges*

These data are for information and can be modified without notice. It is not up to us to appreciate specifications. It is up to the customer to verify the adequacy between the equipment chosen and the real conditions of use.