



# AUTEXIER

MANUFACTURER OF INDUSTRIAL VALVES

93 Rue Louis Blanc - 02300 CHAUNY - FRANCE  
Phone : +33 (0)3 23 52 02 86 Fax : +33 (0)3 23 39 52 28  
Website : www.autexier.fr

Ref. AU106 Family : 21

Rev. 03

Date : 27 June 2022

Page 1/3

## ALUMINIUM BRONZE STRAIGHT STRAINER

### Ref. AU106.Ø

#### SERIES :

- AU106

*For material compatibility, contact us*

#### CHARACTERISTICS :

- PN30 (Nominal Pressure)
- ENDS : BSP Female thread
- MATERIAL : ALUMINIUM BRONZE CC333G

#### MAXIMUM CONDITIONS OF USE :

- 30 bar of -10°C to 225°C

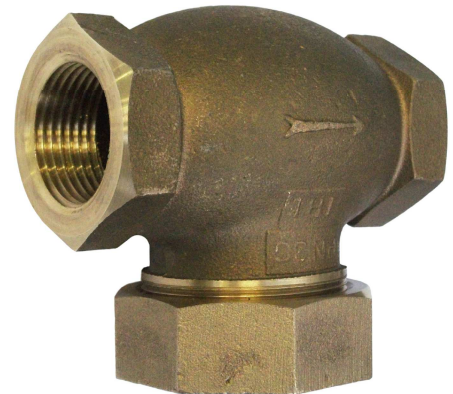
#### APPLICATIONS :

- Water-based fluids
- Seawater

#### OPTIONS :

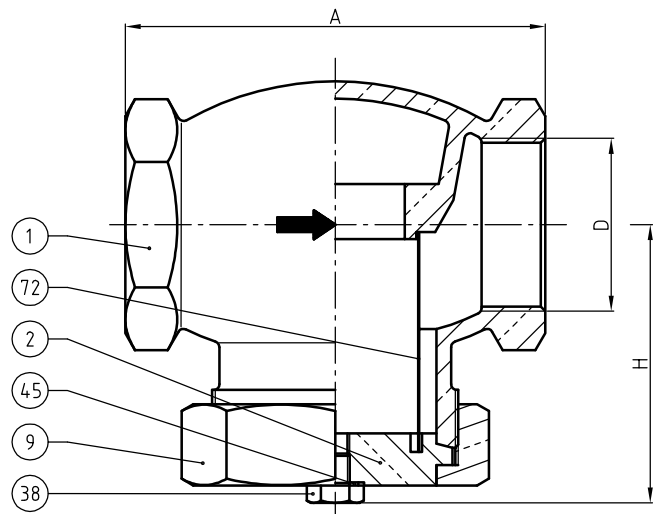
- NPT / API connection
- Material of strainer
- Mesh size on request
- Tap drain valve

*Specific dimensions, contact us*



*Subject to modifications*

NOMENCLATURE			
Rep	Qty	Designation	Material
1	1	BODY	ALUMINIUM BRONZE
2	1	BONNET	ALUMINIUM BRONZE
9	1	BONNET NUT	ALUMINIUM BRONZE
38	1	SCREW	ALUMINIUM BRONZE
45	1	GASKET	PTFE
72	1	SIEVE	SAINTLESS STEEL



#### REFERENCES NORMS :

- Material : NF EN 1982 - NF EN 12163 - NF EN 12164 - NF EN 10272
- Testing & checking : NF EN 12266-1/-2 (bench test)
- Thread : ISO 228-1

Ref. instruction of assembling : 0904DA106E

Ref. instruction of operation : 0904DA107E

**Mounting & assembly guides are available on our website.**

DIMENSIONS			
DN	08	12	15
A (mm)	52	58	65
D	1/4"	3/8"	1/2"
H (mm)	38	38	43
Weight (kg)	0.260	0.275	0.380

*These data are for information and can be modified without notice. It is not up to us to appreciate specifications. It is up to the customer to verify the adequacy between the equipment chosen and the real conditions of use.*



# AUTEXIER

MANUFACTURER OF INDUSTRIAL VALVES

93 Rue Louis Blanc - 02300 CHAUNY - FRANCE  
Phone : +33 (0)3 23 52 02 86 Fax : +33 (0)3 23 39 52 28  
Website : www.autexier.fr

Ref. AU106 Family : 21

Rev. 03

Date : 27 June 2022

Page 2/3

## ALUMINIUM BRONZE STRAIGHT STRAINER

### Ref. AU106.Ø

#### SERIES :

- AU106

*For material compatibility, contact us*

#### CHARACTERISTICS :

- PN30 (Nominal Pressure)
- ENDS : BSP Female thread
- MATERIAL : ALUMINIUM BRONZE CC333G

#### MAXIMUM CONDITIONS OF USE :

- 30 bar of -10°C to 200°C

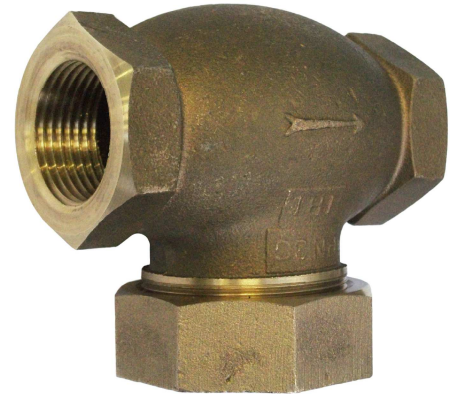
#### APPLICATIONS :

- Water-based fluids
- Seawater

#### OPTIONS :

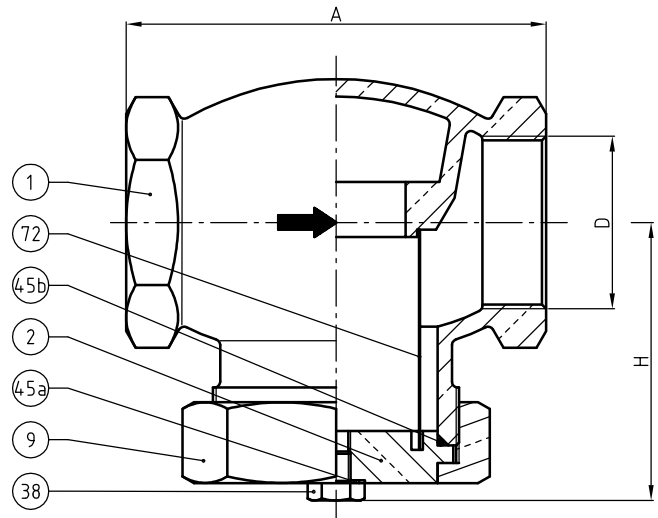
- NPT / API connection
- Material of strainer
- Mesh size on request
- Tap drain valve

*Specific dimensions, contact us*



*Subject to modifications*

NOMENCLATURE			
Rep	Qty	Designation	Material
1	1	BODY	ALUMINIUM BRONZE
2	1	BONNET	ALUMINIUM BRONZE
9	1	BONNET NUT	ALUMINIUM BRONZE
38	1	SCREW	ALUMINIUM BRONZE
45a	1	GASKET	PTFE
45b	1	O-RING	FPM
72	1	SIEVE	SAINTLESS STEEL



#### REFERENCES NORMS :

- Material : NF EN 1982 - NF EN 12163 - NF EN 12164 - NF EN 10272
- Testing & checking : NF EN 12266-1/-2 (bench test)
- Thread : ISO 228-1

Ref. instruction of assembling : 0904DA106E

Ref. instruction of operation : 0904DA107E

**Mounting & assembly guides are available on our website.**

DIMENSIONS			
DN	20	25	32
A (mm)	84	98	110
D	3/4"	1"	1"1/4
H (mm)	54	63	71
Weight (kg)	0.700	1.090	1.660

*These data are for information and can be modified without notice. It is not up to us to appreciate specifications. It is up to the customer to verify the adequacy between the equipment chosen and the real conditions of use.*



# AUTEXIER

MANUFACTURER OF INDUSTRIAL VALVES

93 Rue Louis Blanc - 02300 CHAUNY - FRANCE  
 Phone : +33 (0)3 23 52 02 86 Fax : +33 (0)3 23 39 52 28  
 Website : www.autexier.fr

Ref. AU106 Family : 21

Rev. 03

Date : 27 June 2022

Page 3/3

## ALUMINIUM BRONZE STRAIGHT STRAINER

Ref. AU106.Ø

**SERIES :**

- AU106

*For material compatibility, contact us*

**CHARACTERISTICS :**

- PN30 (Nominal Pressure)
- ENDS : BSP Female thread
- MATERIAL : ALUMINIUM BRONZE CC333G

**MAXIMUM CONDITIONS OF USE :**

- 30 bar of -10°C to 200°C

**APPLICATIONS :**

- Water-based fluids
- Seawater

**OPTIONS :**

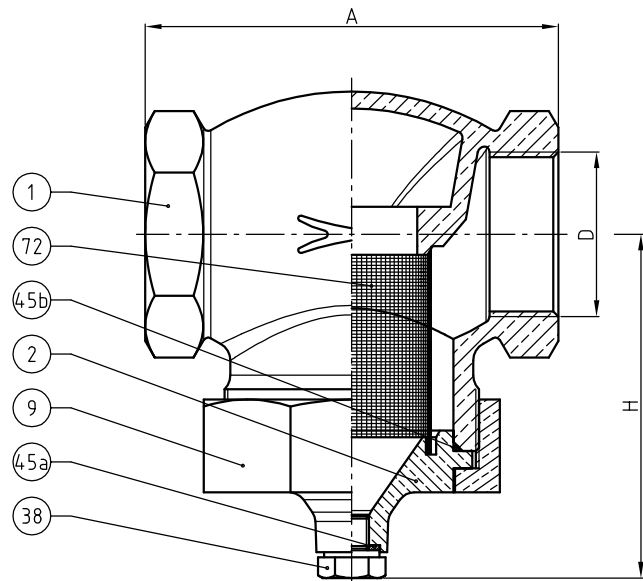
- NPT / API connection
- Material of strainer
- Mesh size on request
- Tap drain valve

*Specific dimensions, contact us*



*Subject to modifications*

NOMENCLATURE			
Rep	Qty	Designation	Material
1	1	BODY	ALUMINIUM BRONZE
2	1	BONNET	ALUMINIUM BRONZE
9	1	BONNET NUT	ALUMINIUM BRONZE
38	1	SCREW	ALUMINIUM BRONZE
45a	1	GASKET	PTFE
45b	1	O-RING	FPM
72	1	SIEVE	SAINTLESS STEEL



**REFERENCES NORMS :**

- Material : NF EN 1982 - NF EN 12163 - NF EN 12164 - NF EN 10272
- Testing & checking : NF EN 12266-1/-2 (bench test)
- Thread : ISO 228-1

Ref. instruction of assembling : 0904DA106E

Ref. instruction of operation : 0904DA107E

**Mounting & assembly guides are available on our website.**

DIMENSIONS		
DN	40	50
A (mm)	120	145
D	1"1/2	2"
H (mm)	100	124
Weight (Kg)	2.400	3.400

*These data are for information and can be modified without notice. It is not up to us to appreciate specifications. It is up to the customer to verify the adequacy between the equipment chosen and the real conditions of use.*