



AUTEXIER

MANUFACTURER OF INDUSTRIAL VALVES

93 Rue Louis Blanc - 02300 CHAUNY - FRANCE
 Phone : +33 (0)3 23 52 02 86 Fax : +33 (0)3 23 39 52 28
 Website : www.autexier.fr

Ref. 108 Family : 21

Rev. 02

Date : 30 June 2022

Page 1/1

BRONZE STRAIGHT STRAINER Ref. 108.Ø

SERIES :

- 108
- Bolted bonnet

For material compatibility, contact us

CHARACTERISTICS :

- PN30 (Nominal Pressure)
- ENDS : ISO PN16 flanges
- MATERIAL : BRONZE CC491K

MAXIMUM CONDITIONS OF USE :

- 30 bar of -15°C to 200°C

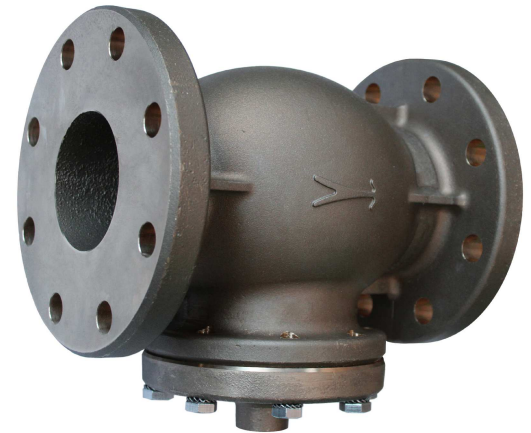
APPLICATIONS :

- Water-based fluids
- Seawater

OPTIONS :

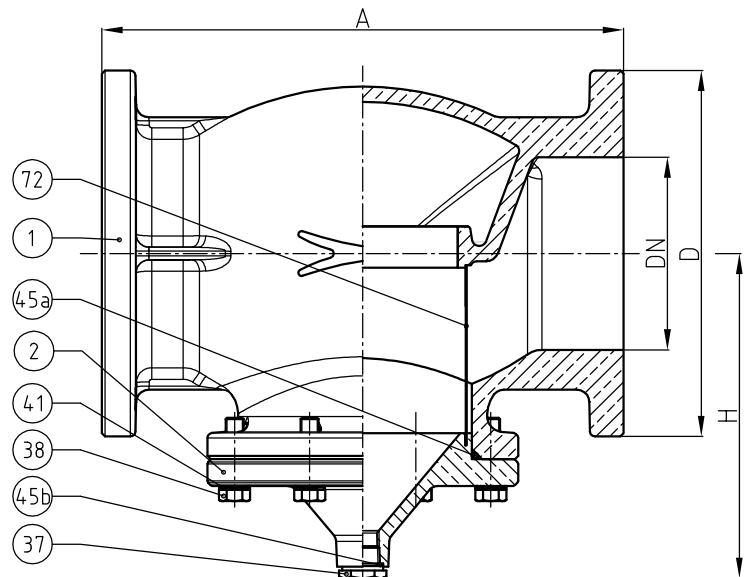
- Special drilling
- Material of stainer
- Mesh size on request
- Tap drain valve

Specific dimensions, contact us



Subject to modifications

NOMENCLATURE			
Rep	Qty	Designation	Material
1	1	BODY	BRONZE
2	1	BONNET	BRONZE
9	1	BONNET NUT	BRONZE
37	1	PLUG	ALUMINIUM BRONZE
38	n	SCREW	STAINLESS STEEL
41	8	WASHER	STAINLESS STEEL
45a	1	O-RING	FPM
45b	1	GASKET	PTFE
72	1	SIEVE	STAINLESS STEEL



REFERENCES NORMS :

- Material : NF EN 1982 - NF EN 12163 - NF EN 12164 - NF EN 10272
- Testing & checking : NF EN 12266-1/-2 (bench test)
- Face to face : NF EN 558 - Série 7
- Flanges : NF EN 1092-3

Ref. instruction of assembling : 0904DA106E

Ref. instruction of operation : 0904DA107E

Mounting & assembly guides are available on our website.

DIMENSIONS				
DN	80	100	150	200
A (mm)	254	305	406	521
D (mm)	200	200	285	340
H (mm)	155	190	255	330
n	8	8	8	10

These data are for information and can be modified without notice. It is not up to us to appreciate specifications. It is up to the customer to verify the adequacy between the equipment chosen and the real conditions of use.