



AUTEXIER

MANUFACTURER OF INDUSTRIAL VALVES

93 Rue Louis Blanc - 02300 CHAUNY - FRANCE
 Phone : +33 (0)3 23 52 02 86 Fax : +33 (0)3 23 39 52 28
 Website : www.autexier.fr

Ref. A3191 Family : 39

Rev. 08

Date : 19 May 2022

Page 1/1

BRONZE SINGLE WEDGE GATE VALVE

Ref. A3191BØ / A3191BEØ

SERIES :

- A3191B with locking system
 - A3191BE with locking and flange with a fitting
- For material compatibility, contact us



CARACTERISTICS :

- PN20 (Nominal Pressure)
- ENDS : Flange PN10/PN16 and fitting Guillemain
- MATERIAL : BRONZE CC491K

MAXIMUM CONDITIONS OF USE :

- 20 bar of -15°C to 90°C

APPLICATIONS :

- Dielectric transformer

OPTIONS :

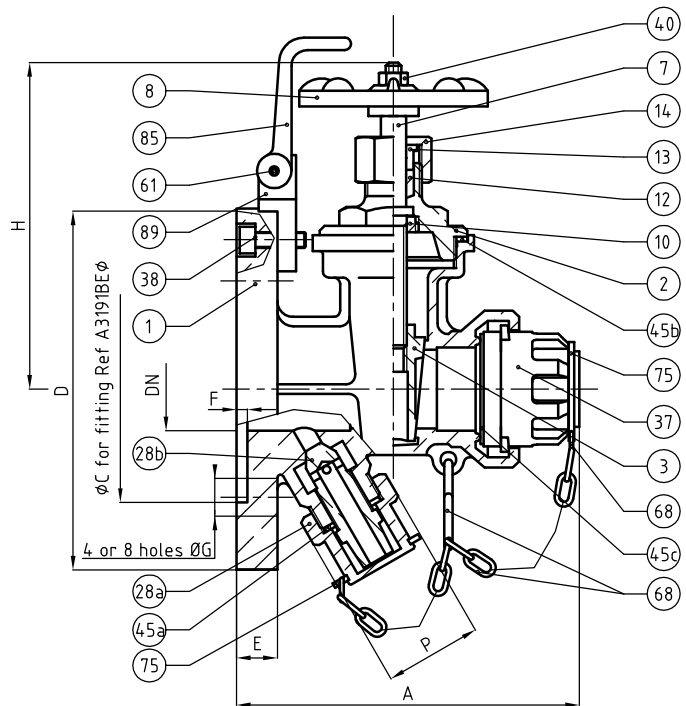
- Special drilling
- Special flange
- Outlet threaded

Specific dimensions, contact us



Subject to modifications

NOMENCLATURE			
Rep	Qty	Designation	Material
1	1	BODY	BRONZE
2	1	BONNET	BRONZE
3	1	SINGLE WEDGE DISC	BRONZE
7	1	STEM	BRASS
8	1	HANDWHEEL	LIGHT ALLOY
10	1	STEM NUT	BRASS
12	1	PACKING	FIBER + GRAPHITE / PTFE
13	1	PACKING GLAND	BRASS
14	1	PACKING NUT	BRASS
28a	1	NOZZLE	BRASS
28b	1	CAP	BRASS
37	1	GUILLEMIN CAP	BRONZE
38	1	SCREW CHC	STAINLESS STEEL
40	1	NUT H	BRASS
45a	1	GASKET	PTFE
45b	1	GASKET	PTFE
45c	1	GASKET	FPM / NBR
61	1	ELASTIC PIN	STAINLESS STEEL
68	1	CHAIN + RING	STAINLESS STEEL
75	1	LOCK WASHER	STAINLESS STEEL
85	1	BOLT	BRONZE
89	1	BRACKET	BRONZE



DIMENSIONS					
DN	15	25	40	50	80
A (mm)	107	110	152	174	160
C (mm)	50	69	88	103	136
D (mm)	95	115	150	165	200
E (mm)	10	13	14	15	17
F (mm)	4.5	4.5	4.5	4.5	4.5
G (mm)	14	14	18	18	18
H (mm)	105	105	147	173	264
P (mm)	17 / 18	27	27	27	27
Handwheel maxi. tightening torque (N·m)	7 to 10	10 to 14	14 to 18	18 to 22	25 to 30
Weight (Kg)	1.248	2.235	3.900	4.890	8.000

REFERENCES NORMS :

- Material : NF EN 1982 - NF EN 12163 - NF EN 12164 - NF EN 10272
- Testing & checking : NF EN 12266-1/-2 (bench test) - NF C52-123
- Flange : NF EN 1092-3
- Fitting : NF E 29-572

Ref. instruction of assembling : 0904DA121E

Ref. instruction of operation : 0904DA084E

Mounting & assembly guides are available on our website.

These data are for information and can be modified without notice. It is not up to us to appreciate specifications. It is up to the customer to verify the adequacy between the equipment chosen and the real conditions of use.