



AUTEXIER

MANUFACTURER OF INDUSTRIAL VALVES

93 Rue Louis Blanc - 02300 CHAUNY - FRANCE
 Phone : +33 (0)3 23 52 02 86 Fax : +33 (0)3 23 39 52 28
 Website : www.autexier.fr

Ref. A71 Family : 49

Rev. 15

Date : 21 April 2022

Page 1/1

BRONZE BALL VALVE WITH FLANGES

Ref. A71.Ø

SERIES :

- A71

For material compatibility, contact us

CHARACTERISTICS :

- PN30 (Nominal Pressure)
- ENDS : ISO PN16 Flanges
- MATERIAL : BRONZE CC491K

MAXIMUM CONDITIONS OF USE :

- 30 bar of -15°C to 200°C

APPLICATIONS :

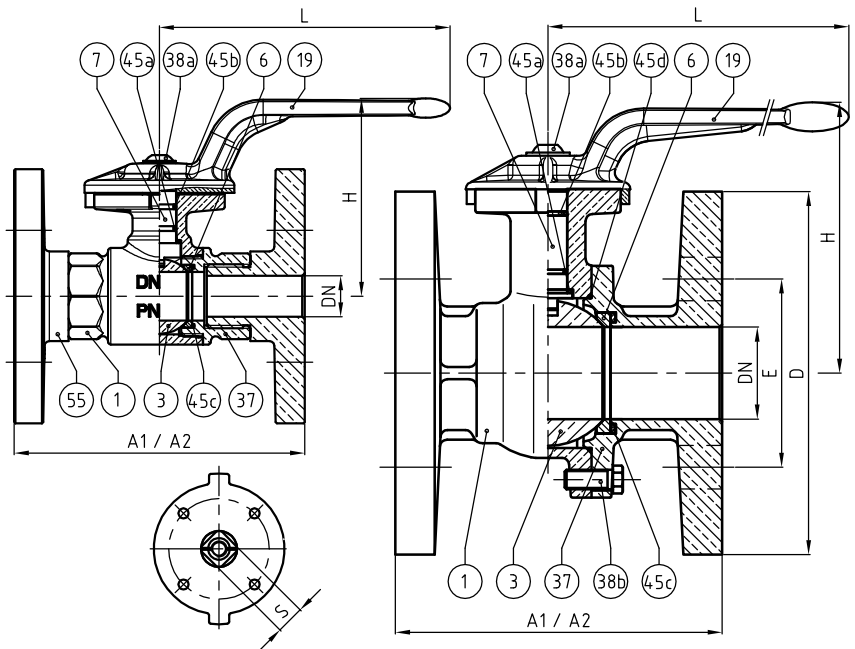
- Water-based fluids
- Oil & gas

OPTIONS :

- Lockable handle
 - Padlock
 - Special drilling
 - Monel trim
 - Bronze body, brass ball
 - ASA 150 flanges (PN20)
- Specific dimensions, contact us*



Subject to modifications



NOMENCLATURE			
Rep	Qty	Designation	Material
1	1	BODY	BRONZE
3	1	BALL	ALUMINIUM BRONZE
6	2	SEAT	PTFE
7	1	STEM	ALUMINIUM BRONZE
19	1	HANDLE	BRONZE
37	1	PLUG	BRONZE
38a	1	SCREW	STAINLESS STEEL
38b	n	SCREW (DN25 to DN100)	STAINLESS STEEL
45a	1	GASKET	PTFE
45b	2	O-RING	FPM
45c	2	O-RING	FPM
45d	1	O-RING	FPM
55	2	FLANGE (DN15 & DN20)	BRONZE

REFERENCES NORMS :

- Material : NF EN 1982 - NF EN 12163 - NF EN 12164 - NF EN 10272
- Testing & checking : NF EN 12266-1/-2 (bench test)
- Face to face : NF EN 558 - Series 27 (A1) or NF E 29-465 (A2)
- Flanges : NF EN 1092-3

Ref. instruction of assembling : 0904DA135E

Ref. instruction of operation : 0904DA136E

Mounting & assembly guides are available on our website.

DIMENSIONS									
DN	15	20	25	32	40	50	65	80	100
A1 (mm)	115	120	125	130	140	150	170	180	190
A2 (mm)	130	130	130	130	135	145	160	180	210
D (mm)	95	105	115	140	150	165	185	200	220
E (mm)	65	75	85	100	110	125	145	160	180
H (mm)	79	82	96	108	114	122	156	167	170
L (mm)	108	120	120	165	165	165	218	218	218
Base ISO	F03	F04	F04	F05	F05	F05	F07	F07	F07
S (mm)	9	11	11	14	14	14	17	17	17
Maximum torque (N.m)	20	20	20	20	20	20	40*	40*	50*
n	-	-	5	5	5	5	6	6	6
Weight (Kg)	2.190	2.900	4.165	4.550	6.350	7.100	15.750	17.650	25.700

*Under reserve

These data are for information and can be modified without notice. It is not up to us to appreciate specifications. It is up to the customer to verify the adequacy between the equipment chosen and the real conditions of use.