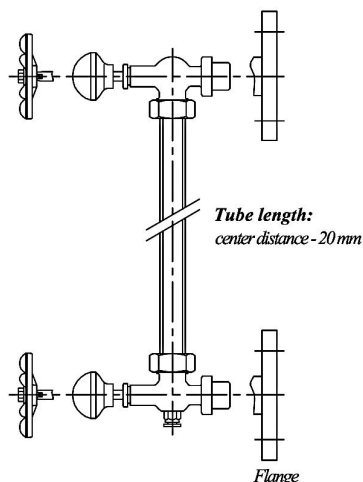


ASSEMBLY 1

Packing and tube



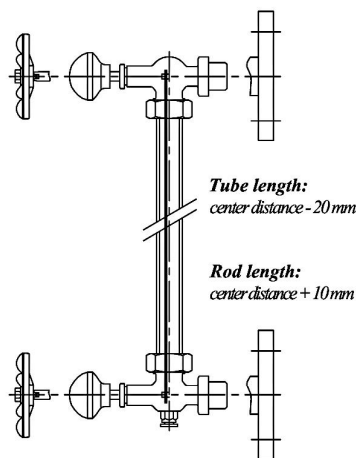
Detail :
 Superior Part
 Pyrex® or rhodoïd tube
 Inferior Part

Article :
 186, 184, 2184, 3184PSØ
 CPY or CPX
 186, 184, 2184, 3184PIØ

Observation :
 Not recommended for center distances > 1000 mm

ASSEMBLY 2

With side protection rods



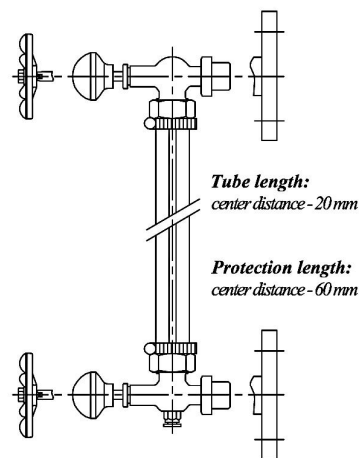
Detail :
 Superior Part
 Pyrex® or rhodoïd tube
 Protective rod
 Inferior Part

Article :
 186, 184, 2184, 3184PSØ
 CPY or CPX
 Available per meter
 186, 184, 2184, 3184PIØ

Observation :
 Not recommended for center distances > 1000 mm

ASSEMBLY 3

With protections



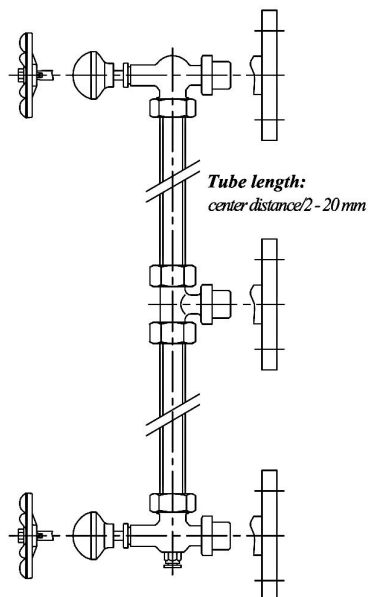
Detail :
 Superior Part
 Pyrex® or rhodoïd tube
 Glass protections
 Flanged nuts
 Inferior Part

Article :
 186, 184, 2184, 3184PSØ
 CPY or CPX
 CPROTEC + C19.1384
 U26.18415P
 186, 184, 2184, 3184PIØ

Observation :
 Not recommended for center distances > 1000 mm

ASSEMBLY 4

Large heights without protection



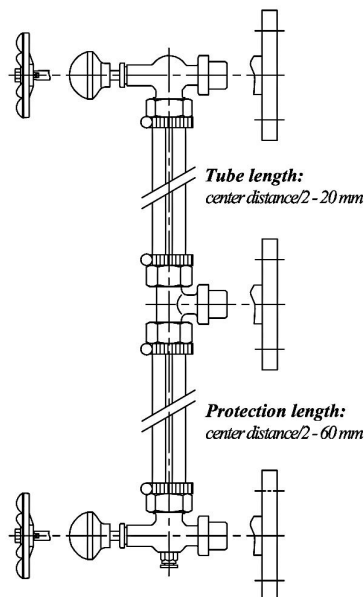
Detail :
 Superior Part
 Pyrex® or rhodoïd tube
 Intermediate
 Inferior Part

Article :
 186, 184, 2184, 3184PSØ
 CPY or CPX
 274
 186, 184, 2184, 3184PIØ

Observation :
 Recommended for center distances > 1000 mm

ASSEMBLY 5

Large heights with protections



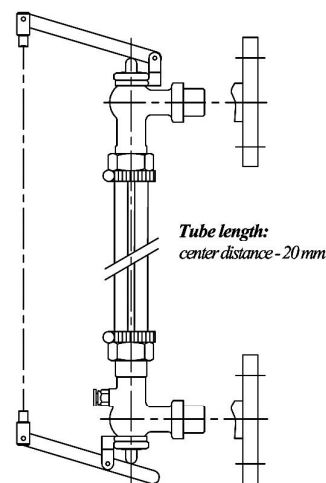
Detail :
 Superior Part
 Pyrex® or rhodoïd tube
 Glass protections
 Flanged nuts
 Intermediate
 Inferior Part

Article :
 186, 184, 2184, 3184PSØ
 CPY or CPX
 CPROTEC + C19.1384
 U26.18415P
 274
 186, 184, 2184, 3184PIØ

Observation :
 Recommended for center distances > 1000 mm

ASSEMBLY 6

With connecting rod



Detail :
 Superior Part
 Pyrex® or rhodoïd tube
 Glass protections
 Flanged nuts
 Operating rod
 Inferior Part

Article :
 2184PSØ
 CPY or CPX
 CPROTEC + C19.1384
 U26.18415P
 Stirrup + Lever
 2184PIØ

Observation :
 Not recommended for center distances > 1000 mm