



AUTEXIER

MANUFACTURER OF INDUSTRIAL VALVES

93 Rue Louis Blanc - 02300 CHAUNY - FRANCE
Phone : +33 (0)3 23 52 02 86 Fax : +33 (0)3 23 39 52 28
Website : www.autexier.fr

Ref. AUR2 Family: 40

Rev. 03

Date: 21 April 2022

Page 1/1

ALUMINIUM BRONZE SYMETRICAL FITTING SMOOTH FINISH

Réf. AUR2.Ø

SERIES :

- AUR2

For material compatibility, contact us

CARACTERISTICS :

- PN16 (Nominal Pressure)
- ENDS : Smooth finish / Symetrical fitting
- MATERIAL : ALUMINIUM BRONZE CC333G / CW307G

MAXIMUM CONDITIONS OF USE :

- 16 bar of -10°C to 100°C

APPLICATIONS :

- Water-based fluids
- Steam (8 bar)
- Seawater

OPTIONS :

- Thread

Specific dimensions, contact us



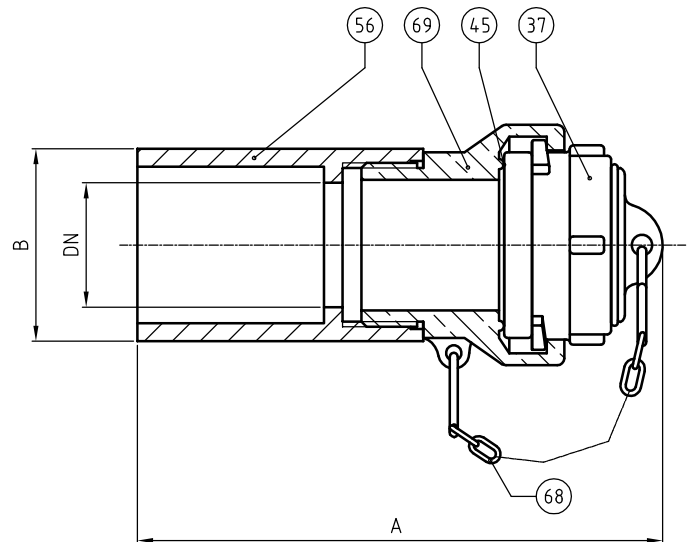
Subject to modifications

DIMENSIONS

DN	15	20	25	40	50	65	80
A (mm)	84	91	110	126	148	170	209
B (mm)	25	32	36	54	68	86	100

NOMENCLATURE

Rep	Qty	Designation	Material
37	1	PLUG	BRONZE / BRASS
45	1	BLACK GASKET	NBR
56	1	SOCKET	ALUMINIUM BRONZE
68	1	CHAIN	STAINLESS STEEL
69	1	MALE FITTING	BRONZE



REFERENCES NORMS :

- Material : NF EN 1982 - NF EN 12163 - NF EN 12164 - NF EN 10272
- Testing & checking : NF EN 12266-1/-2 (bench test)

Ref. instruction of assembling : -

Ref. instruction of operation : -

Mounting & assembly guides are available on our website.

These data are for information and can be modified without notice. It is not up to us to appreciate specifications. It is up to the customer to verify the adequacy between the equipment choosen and the real conditions of use.