



AUTEXIER

MANUFACTURER OF INDUSTRIAL VALVES

93 Rue Louis Blanc - 02300 CHAUNY - FRANCE
 Phone : +33 (0)3 23 52 02 86 Fax : +33 (0)3 23 39 52 28
 Website : www.autexier.fr

Ref. AUR1 Family : 40

Rev. 14

Date : 21 April 2022

Page 1/1

SYMMETRICAL FITTING WITH ALUMINIUM BRONZE FLANGE

Ref. AUR1.Ø

SERIES :

- AUR1

For material compatibility, contact us

CHARACTERISTICS :

- PN16 (Nominal Pressure)
- ENDS : ISO PN16 Flange / Symmetrical fitting
- MATERIAL : ALUMINIUM BRONZE CC333G

MAXIMUM CONDITIONS OF USE :

- 16 bar of -10°C to 100°C

APPLICATIONS :

- Water-based fluids
- Steam (8 bar)
- Seawater

OPTIONS :

- Special drilling
- Symmetrical fitting with lock

Specific dimensions, contact us



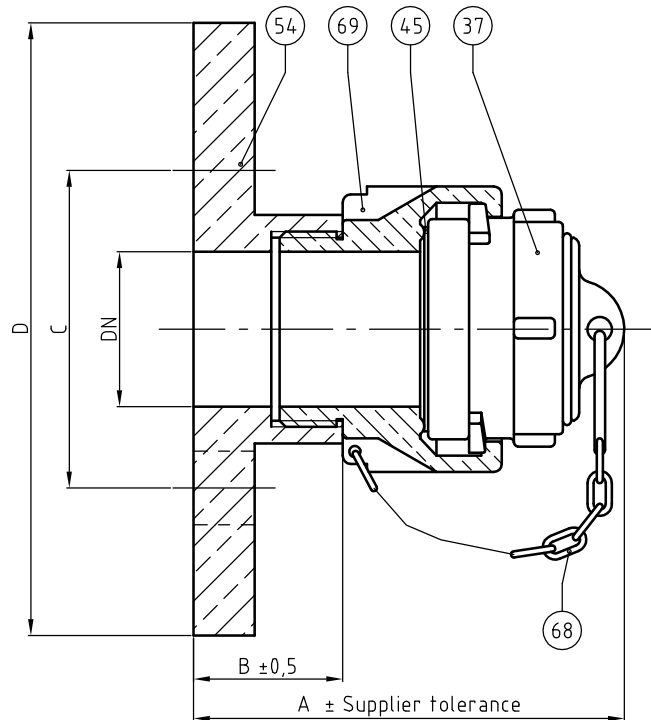
Subject to modifications

DIMENSIONS							
DN	20	25	40	50	65	80	100
A (mm)	86	90	110	118	125	135	138
B (mm)	35	35	40	40	45	45	50
C (mm)	75	85	110	125	145	160	180
D (mm)	105	115	150	165	185	200	220

NOMENCLATURE			
Rep	Qty	Designation	Material
37	1	PLUG	BRONZE / BRASS
45	1	BLACK GASKET	NBR
54	1	FEMALE THEADED FLANGE	ALUMINIUM BRONZE
68	1	CHAIN	STAINLESS STEEL
69	1	MALE FITTING	BRONZE

REFERENCES NORMS :

- Material : NF EN 1982 - NF EN 12163 - NF EN 12164 - NF EN 10272
- Testing & checking : NF EN 12266-1/-2 (bench test)
- Flange : NF EN 1092-3



Ref. instruction of assembling : -

Ref. instruction of operation : -

Mounting & assembly guides are available on our website.

These data are for information and can be modified without notice. It is not up to us to appreciate specifications. It is up to the customer to verify the adequacy between the equipment chosen and the real conditions of use.