



# AUTEXIER

MANUFACTURER OF INDUSTRIAL VALVES

93 Rue Louis Blanc - 02300 CHAUNY - FRANCE  
Phone : +33 (0)3 23 52 02 86 Fax : +33 (0)3 23 39 52 28  
Website : www.autexier.fr

Ref. AUR1 Family : 40

Rev. 05

Date : 21 April 2022

Page 1/1

## SYMMETRICAL FITTING WITH ALUMINIUM BRONZE FLANGE

### Ref. AUR1.ØV

#### SERIES :

- AUR1

*For material compatibility, contact us*

#### CARACTERISTICS :

- PN16 (Nominal Pressure)
- ENDS : ISO PN16 Flange / Symmetrical fitting with lock
- MATERIAL : ALUMINIUM BRONZE CC333G

#### MAXIMUM CONDITIONS OF USE :

- 16 bar of -10°C to 100°C

#### APPLICATIONS :

- Water-based fluids
- Steam (8 bar)
- Seawater

#### OPTIONS :

- Special drilling

*Specific dimensions, contact us*



*Subject to modifications*

#### DIMENSIONS

| DN     | 20  | 25  | 40  | 50  | 65  | 80  | 100 |
|--------|-----|-----|-----|-----|-----|-----|-----|
| A (mm) | 97  | 102 | 125 | 133 | 144 | 151 | 166 |
| B (mm) | 35  | 35  | 40  | 40  | 45  | 45  | 50  |
| C (mm) | 75  | 85  | 110 | 125 | 145 | 160 | 180 |
| D (mm) | 105 | 115 | 150 | 165 | 185 | 200 | 220 |

#### NOMENCLATURE

| Rep | Qty | Designation           | Material         |
|-----|-----|-----------------------|------------------|
| 37  | 1   | PLUG                  | BRONZE / BRASS   |
| 45  | 1   | BLACK GASKET          | NBR              |
| 54  | 1   | FEMALE THEADED FLANGE | ALUMINIUM BRONZE |
| 68  | 1   | CHAIN                 | STAINLESS STEEL  |
| 69  | 1   | MALE FITTING          | BRONZE           |

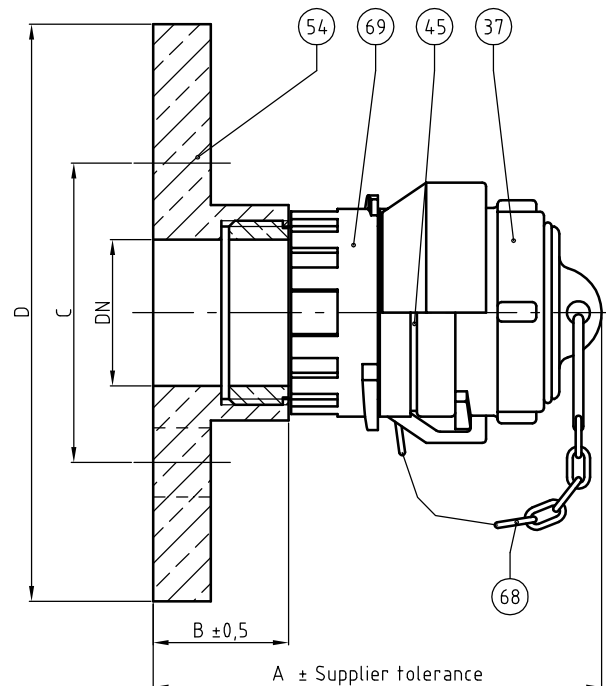
#### REFERENCES NORMS :

- Material : NF EN 1982 - NF EN 12163 - NF EN 12164 - NF EN 10272
- Testing & checking : NF EN 12266-1/-2 (bench test)
- Flange : NF EN 1092-3

Ref. instruction of assembling : -

Ref. instruction of operation : -

**Mounting & assembly guides are available on our website.**



*These data are for information and can be modified without notice. It is not up to us to appreciate specifications. It is up to the customer to verify the adequacy between the equipment chosen and the real conditions of use.*