



AUTEXIER

MANUFACTURER OF INDUSTRIAL VALVES

93 Rue Louis Blanc - 02300 CHAUNY - FRANCE
 Phone : +33 (0)3 23 52 02 86 Fax : +33 (0)3 23 39 52 28
 Website : www.autexier.fr

Ref. AU72 Family : 49

Rev. 01

Date : 21 April 2022

Page 1/1

ALUMINIUM-BRONZE BALL VALVE WITH FLANGE AND GUILLEMIN COUPLING

Ref. AU72.20

SERIES :

- AU72

For material compatibility, contact us

CARACTERISTICS :

- PN16 (Nominal Pressure)
- ENDS : ISO PN16 Flanges and Guillemín coupling
- MATERIAL : ALUMINIUM-BRONZE CC333G

MAXIMUM CONDITIONS OF USE :

- 16 bar of -10°C to 120°C

APPLICATIONS :

- Water-based fluids
- Oil & gas
- Seawater

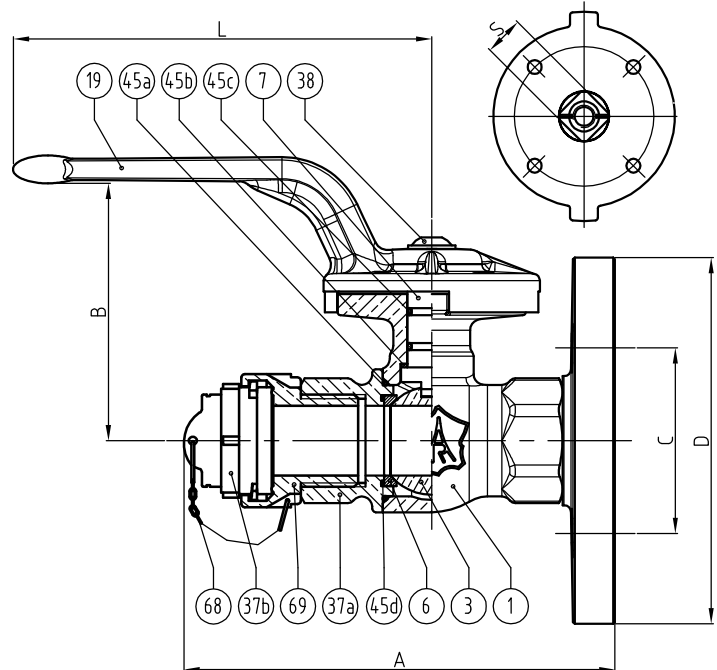
OPTIONS :

- Special drilling
- Monel Trim

Specific dimensions, contact us



*Photo for information only
 Subject to modifications*



NOMENCLATURE			
Rep	Qty	Designation	Material
1	1	BODY	ALUMINIUM BRONZE
3	1	SHUTTER	ALUMINIUM BRONZE
6	2	SEAT	PTFE
7	1	STEM	ALUMINIUM BRONZE
19	1	HANDLE	ALUMINIUM BRONZE
37a	1	PLUG	ALUMINIUM BRONZE
37b	1	GUILLEMIN PLUG	BRONZE
38	1	SCREW	STAINLESS STEEL
45a	1	O-RING	FPM
45b	1	GASKET	PTFE
45c	2	GASKET	FPM
45d	2	O-RING	FPM
68	1	CHAIN	STAINLESS STEEL
69	1	GUILLEMIN COUPLING	BRONZE

DIMENSIONS	
DN	20
A (mm)	120*
B (mm)	82
C (mm)	75
D (mm)	105
L (mm)	120
Base ISO	F04
S (mm)	11

**Under reserve*

REFERENCES NORMS :

- Material : NF EN 1982 - NF EN 12163 - NF EN 12164 - NF EN 10272
- Testing & checking : NF EN 12266-1/-2 (bench test)
- Flanges : NF EN 1092-3

Ref. instruction of assembling : 0904DA0135E

Ref. instruction of operation : 0904DA136E

**Mounting & assembly guides are available
 on our website.**

These data are for information and can be modified without notice. It is not up to us to appreciate specifications. It is up to the customer to verify the adequacy between the equipment chosen and the real conditions of use.