



AUTEXIER

MANUFACTURER OF INDUSTRIAL VALVES

93 Rue Louis Blanc - 02300 CHAUNY - FRANCE
 Phone : +33 (0)3 23 52 02 86 Fax : +33 (0)3 23 39 52 28
 Website : www.autexier.fr

Ref. AU70 Family : 49

Rev. 09

Date : 31 March 2022

Page 1/1

ALUMINIUM BRONZE BALL VALVE Ref. AU70.Ø

SERIES :

- AU70

For material compatibility, contact us

CARACTERISTICS :

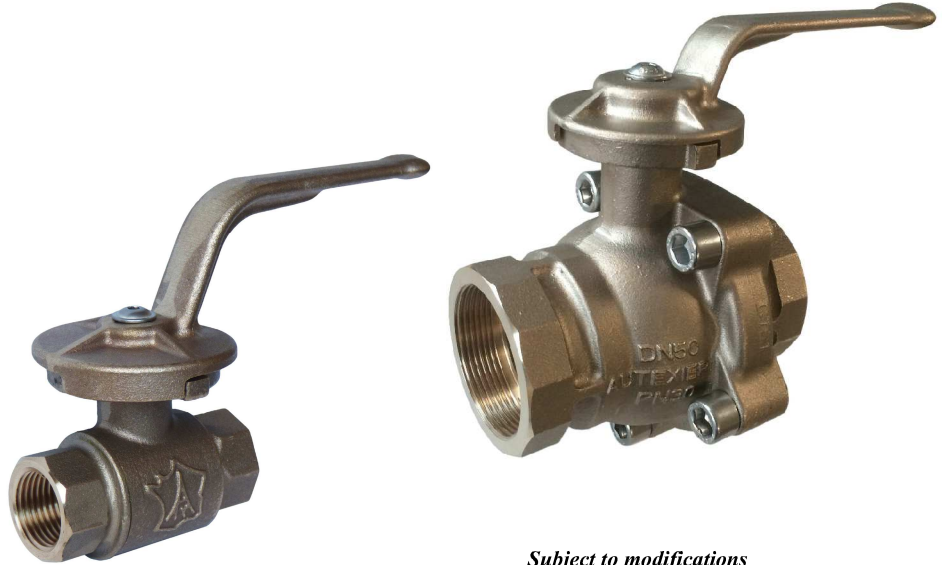
- PN30 (Nominal Pressure)
- ENDS : Female GAZ threads
- MATERIAL : ALUMINIUM BRONZE CC333G

MAXIMUM CONDITIONS OF USE :

- 30 bar of -10°C to 200°C

APPLICATIONS :

- Water-based fluids
- Oil & gas
- Seawater

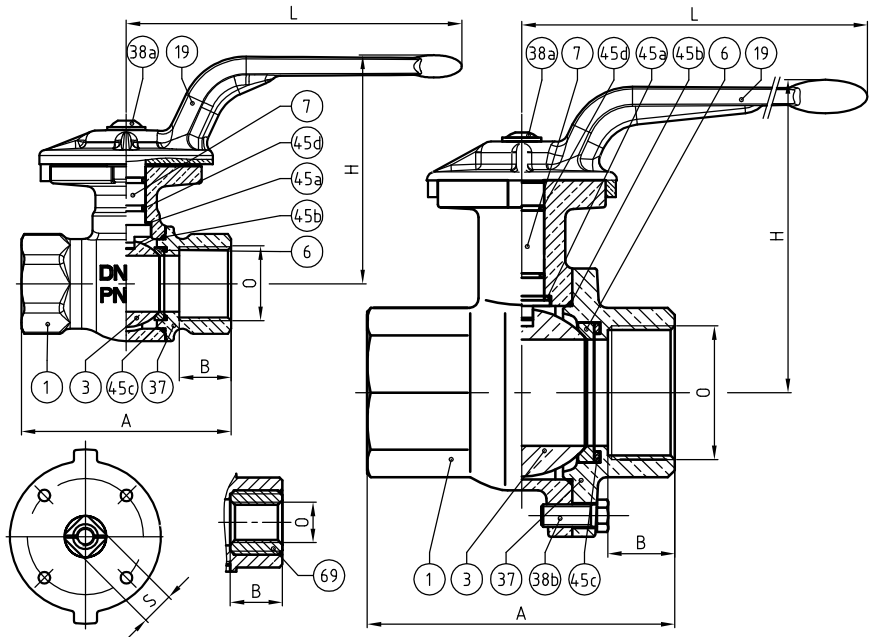


Subject to modifications

OPTIONS :

- Lockable handle
- Padlock
- NPT / API connection
- Monel trim

Specific dimensions, contact us



NOMENCLATURE			
Rep	Qté	Désignation	Matière
1	1	BODY	ALUMINIUM BRONZE
3	1	BALL	ALUMINIUM BRONZE
6	2	SEAT	PTFE
7	1	STEM	ALUMINIUM BRONZE
19	1	HANDLE	ALUMINIUM BRONZE
37	1	PLUG	ALUMINIUM BRONZE
38a	1	SCREW	STAINLESS STEEL
38b	n	SCREW (DN25 to DN80)	STAINLESS STEEL
45a	1	GASKET	PTFE
45b	1	O-RING	FPM
45c	2	O-RING	FPM
45d	2	O-RING	FPM
69	2	FITTING (DN08)	ALUMINIUM BRONZE

REFERENCES NORMS :

- Material : NF EN 1982 - NF EN 12163 - NF EN 12164 - NF EN 10272
- Testing & checking : NF EN 12266-1/-2 (bench test)

Ref. instruction of assembling : 0904DA135E

Ref. instruction of operation : 0904DA136E

Mounting & assembly guides are available on our website.

DIMENSIONS											
DN	08	12	15	20	25	32	40	50	65	80	100
A (mm)	63	63	63	75	85	95	110	145	160	180	210
B (mm)	17	17	17	19	21	23	24	25	25	32	35
H (mm)	79	79	79	82	96	108	114	122	156	167	170
L (mm)	108	108	108	120	120	165	165	165	218	218	218
O	1/4"	3/8"	1/2"	3/4"	1"	1 1/4"	1 1/2"	2"	2 1/2"	3"	4"
Base ISO	F03	F03	F03	F04	F04	F05	F05	F05	F07	F07	F07
S (mm)	9	9	9	11	11	14	14	14	17	17	17
Maximum torque (N.m)	20	20	20	20	20	20	20	20	40*	40*	50*
n	-	-	-	-	5	5	5	5	6	6	6
Weight (Kg)	0.560	0.545	0.520	0.785	1.200	1.810	2.300	4.390	--	--	--

*Under reserve

These data are for information and can be modified without notice. It is not up to us to appreciate specifications. It is up to the customer to verify the adequacy between the equipment chosen and the real conditions of use.