



AUTEXIER

MANUFACTURER OF INDUSTRIAL VALVES

93 Rue Louis Blanc - 02300 CHAUNY - FRANCE
Phone : +33 (0)3 23 52 02 86 Fax : +33 (0)3 23 39 52 28
Website : www.autexier.fr

Ref. AR1V Family : 40

Rev. 09

Date : 21 April 2022

Page 1/1

SYMMETRICAL FITTING WITH LOCK BRONZE FLANGE

Ref. AR1.ØV

SERIES :

- AR1V

For material compatibility, contact us

CHARACTERISTICS :

- PN16 (Nominal Pressure)
- ENDS : ISO PN16 Flange / Symmetrical fitting with lock
- MATERIAL : BRONZE CC491K

MAXIMUM CONDITIONS OF USE :

- 16 bar of -30°C to 100°C

APPLICATIONS :

- Water-based fluids
- Steam (8 bar)
- Seawater

OPTIONS :

- Special drilling

Specific dimensions, contact us



Subject to modifications

DIMENSIONS

DN	20	25	40	50	65	80	100
A (mm)	97	102	125	133	144	151	166
B (mm)	35	35	40	40	45	45	50
C (mm)	75	85	110	125	145	160	180
D (mm)	105	115	150	165	185	200	220

NOMENCLATURE

Rep	Qty	Designation	Material
37	1	PLUG	BRONZE / LAITON
45	1	BLACK GASKET	NBR
54	1	FEMALE THEADED FLANGE	BRONZE
68	1	CHAIN	STAINLESS STEEL
69	1	MALE FITTING	BRONZE

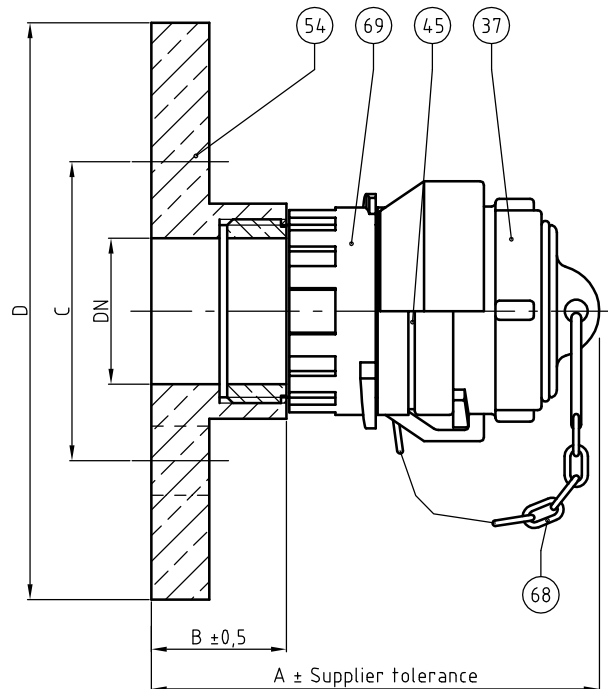
REFERENCES NORMS :

- Material : NF EN 1982 - NF EN 12163 - NF EN 12164 - NF EN 10272
- Testing & checking : NF EN 12266-1/-2 (bench test)
- Flange : NF EN 1092-3

Ref. instruction of assembling : -

Ref. instruction of operation : -

Mounting & assembly guides are available on our website.



These data are for information and can be modified without notice. It is not up to us to appreciate specifications. It is up to the customer to verify the adequacy between the equipment chosen and the real conditions of use.