



# AUTEXIER

MANUFACTURER OF INDUSTRIAL VALVES

93 Rue Louis Blanc - 02300 CHAUNY - FRANCE  
 Phone : +33 (0)3 23 52 02 86 Fax : +33 (0)3 23 39 52 28  
 Website : www.autexier.fr

Ref. 472 Family : 27

Rev. 11

Date : 16 Feb. 2022

Page 1/1

## BRONZE SAFETY VALVE WITH FLANGES

Ref. 472.Ø.Ø / 472BPØ.Ø / 472TØ.Ø

### SERIES :

- 472.Ø.Ø : FPM disc
- 472BPØ.Ø : Silicone disc
- 472TØ.Ø : PTFE disc
- Double sized outlet
- With handlever

For material compatibility, contact us

### CARACTERISTICS :

- PN40 (Nominal Pressure)
- ENDS : ISO PN16 flanges
- MATERIAL : BRONZE CC491K

### MAXIMUM CONDITIONS OF USE :

- Ref. 472 : 40 bar of -15°C to 200°C
- Ref. 472BP : 40 bar of -50°C to 200°C
- Ref. 472T : 40 bar of -50°C to 225°C

### APPLICATIONS :

- Hot water and industrial fluids
- Water-based fluids
- Medium-pressure steam (16 bar)

### OPTIONS :

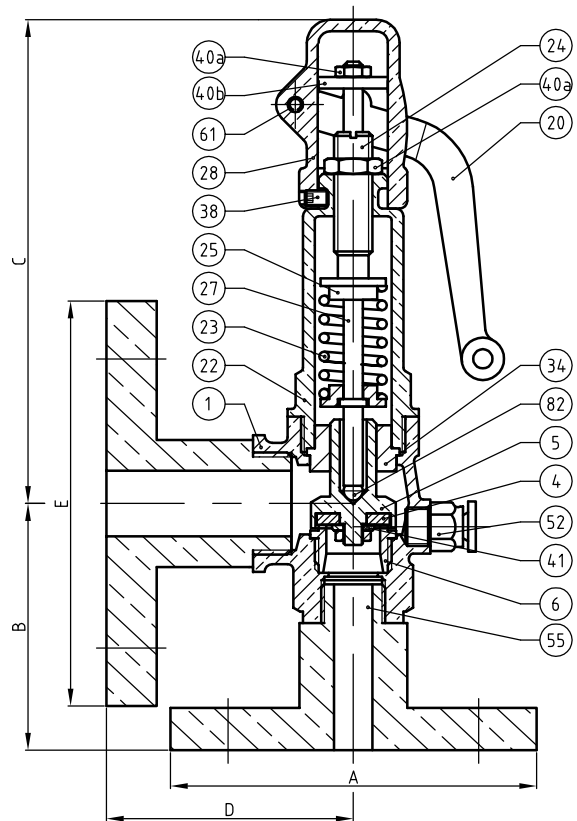
- Special drilling

Specific dimensions, contact us



Subject to modifications

NOMENCLATURE			
Rep	Qty	Designation	Material
1	1	BODY	BRONZE
4	1	DISC	472: FPM / 472BP: Silicone / 472T: PTFE
5	1	DISC HOLDER	BRASS
6	1	SEAT	STAINLESS STEEL
20	1	LEVER	BRONZE
22	1	LANTERN	BRONZE
23	1	SPRING	STAINLESS STEEL
24	1	ADJUSTING SCREW	BRASS
25	2	CARRIER	BRASS
27	1	NEEDLE	BRASS
28	1	CAP	BRONZE
34	1	GUIDE	BRASS
38	1	SCREW HC	STAINLESS STEEL
40a	2	NUT	BRASS
40b	1	NUT GUIDE	BRASS
40c	1	NUT	BRASS
41	1	WASHER	BRASS
49	1	TIP NEEDLE	BRASS
52	1	TAP DRAIN VALVE ON 1/8"	BRASS
55	2	FLANGE	BRONZE
61	1	PIN	STAINLESS STEEL
82	1	BALL	STAINLESS STEEL



### REFERENCES NORMS :

- Material : NF EN 1982 - NF EN 12163 - NF EN 12164 - NF EN 10272
- Testing & checking : NF EN 12266-1/-2 (bench test)
- Flanges : NF EN 1092-3

Ref. instruction of assembling : 0904DA091E

Ref. instruction of operation : 0904DA099E

**Mounting & assembly guides are available on our website.**

DIMENSIONS					
DN	12/20	15/25	20/32	25/40	32/50
A (mm)	90	95	105	115	140
B (mm)	65	70	85	90	100
C (mm)	126	130	158	183	225
D (mm)	60	65	70	75	90
E (mm)	105	115	140	150	165
Weight (Kg)	2,345	2,810	4,390	5,750	8,260

These data are for information and can be modified without notice. It is not up to us to appreciate specifications. It is up to the customer to verify the adequacy between the equipment chosen and the real conditions of use.