



# AUTEXIER

MANUFACTURER OF INDUSTRIAL VALVES

93 Rue Louis Blanc - 02300 CHAUNY - FRANCE  
 Phone: +33 (0)3 23 52 02 86 Fax : +33 (0)3 23 39 52 28  
 Website : www.autexier.fr

Ref. AU72 Family : 49

Rev. 09

Date : 07 Jan. 2022

Page 1/1

## ALUMINIUM BRONZE BALL VALVE WITH FLANGE AND GUILLEMIN COUPLING

### Ref. AU72.Ø

**SERIES :**

- AU72
  - AU72.32 : Integrated Guillemin coupling
- For material compatibility, contact us*

**CARACTERISTICS :**

- PN16 (Nominal Pressure)
- ENDS : ISO PN16 Flanges and Guillemin coupling
- MATERIAL : ALUMINIUM BRONZE CC333G

**MAXIMUM CONDITIONS OF USE :**

- 16 bar of -10°C to 100°C

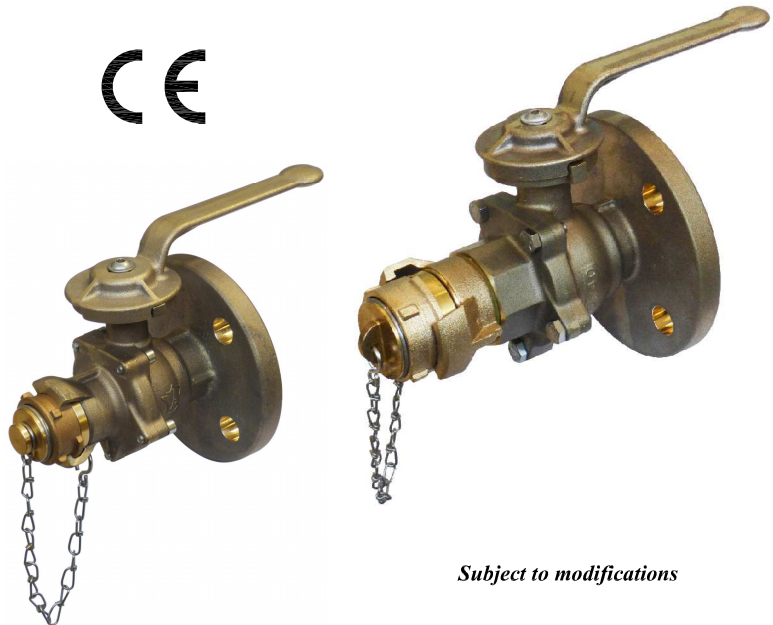
**APPLICATIONS :**

- Water-based fluids
- Oil & gas
- Seawater

**OPTIONS :**

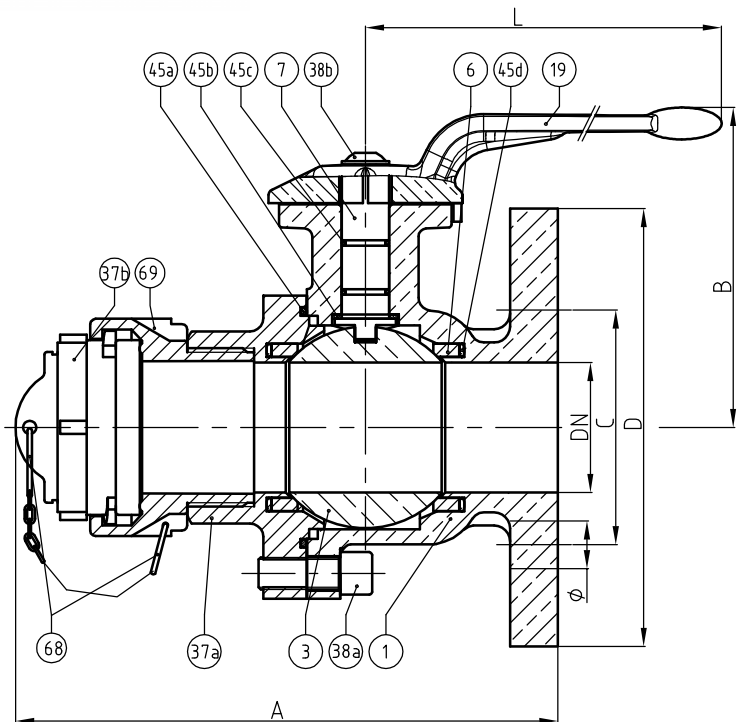
- Special drilling
- Monel Trim

*Specific dimensions, contact us*



*Subject to modifications*

NOMENCLATURE			
Rep	Qty	Designation	Material
1	1	BODY	ALUMINIUM BRONZE
3	1	SHUTTER	ALUMINIUM BRONZE
6	2	SEAT	PTFE
7	1	STEM	ALUMINIUM BRONZE
19	1	HANDLE	ALUMINIUM BRONZE
37a	1	PLUG	ALUMINIUM BRONZE
37b	1	GUILLEMIN PLUG	BRONZE
38a	5	SCREW	STAINLESS STEEL
38b	1	SCREW	STAINLESS STEEL
45a	1	O-RING	FPM
45b	1	GASKET	PTFE
45c	2	GASKET	FPM
45d	2	O-RING	FPM
68	1	CHAIN	STAINLESS STEEL
69	1	GUILLEMIN COUPLING	BRONZE



DIMENSIONS						
DN	25	32	40	50	65	80
A (mm)	160*	156	195	212	220	250*
B (mm)	96	108	114	122	156	167
C (mm)	85	100	110	125	145	160
D (mm)	115	140	150	165	185	200
L (mm)	120	165	165	165	218	218
Ø Drilling	4x14	4x18	4x18	4x18	4x18	8x18
Weight (Kg)	--	3.790	4.300	6.760	7.950	--

*\*Under reserve*

**REFERENCES NORMS :**

- Material : NF EN 1982 - NF EN 12163 - NF EN 12164 - NF EN 10272
- Testing & checking : NF EN 12266-1/-2 (bench test)
- Flanges : NF EN 1092-3

Ref. instruction of assembling : 0904DA135E

Ref. instruction of operation : 0904DA136E

**Mounting & assembly guides are available on our website.**

*These data are for information and can be modified without notice. It is not up to us to appreciate specifications. It is up to the customer to verify the adequacy between the equipment chosen and the real conditions of use.*