



AUTEXIER

MANUFACTURER OF INDUSTRIAL VALVES

93 Rue Louis Blanc - 02300 CHAUNY - FRANCE
 Phone : +33 (0)3 23 52 02 86 Fax : +33 (0)3 23 39 52 28
 Website : www.autexier.fr

Ref. A72 Family : 49

Rev. 04

Date : 07 Jan. 2022

Page 1/1

BRONZE BALL VALVE WITH FLANGE AND GUILLEMIN COUPLING

Ref. A72.Ø

SERIES :

- A72
 - A72.32 : Integrated Guillemín coupling
- For material compatibility, contact us

CARACTERISTICS :

- PN16 (Nominal Pressure)
- ENDS : ISO PN16 Flanges and Guillemín coupling
- MATERIAL : BRONZE CC491K

MAXIMUM CONDITIONS OF USE :

- 16 bar of -15°C to 100°C

APPLICATIONS :

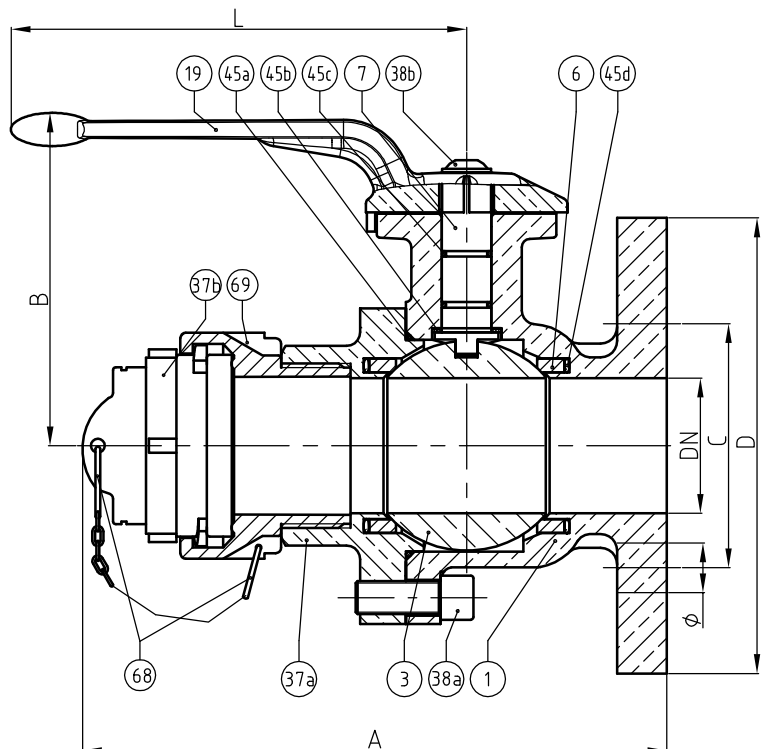
- Water-based fluids
- Oil & gas

OPTIONS :

- Special drilling
 - Monel Trim
- Specific dimensions, contact us



Subject to modifications



| NOMENCLATURE | | | |
|--------------|-----|--------------------|------------------|
| Rep | Qty | Designation | Material |
| 1 | 1 | BODY | BRONZE |
| 3 | 1 | SHUTTER | ALUMINIUM BRONZE |
| 6 | 2 | SEAT | PTFE |
| 7 | 1 | STEM | ALUMINIUM BRONZE |
| 19 | 1 | HANDLE | BRONZE |
| 37a | 1 | PLUG | BRONZE |
| 37b | 1 | GUILLEMIN PLUG | BRONZE |
| 38a | 5 | SCREW | STAINLESS STEEL |
| 38b | 1 | SCREW | STAINLESS STEEL |
| 45a | 1 | O-RING | FPM |
| 45b | 1 | GASKET | PTFE |
| 45c | 2 | GASKET | FPM |
| 45d | 2 | O-RING | FPM |
| 68 | 1 | CHAIN | STAINLESS STEEL |
| 69 | 1 | GUILLEMIN COUPLING | BRONZE |

REFERENCES NORMS :

- Material : NF EN 1982 - NF EN 12163 - NF EN 12164 - NF EN 10272
- Testing & checking : NF EN 12266-1/-2 (bench test)
- Flanges : NF EN 1092-3

Ref. instruction of assembling : 0904DA135E

Ref. instruction of operation : 0904DA136E

Mounting & assembly guides are available on our website.

| DIMENSIONS | | | | | | |
|-------------|------|-------|-------|-------|-------|------|
| DN | 25 | 32 | 40 | 50 | 65 | 80 |
| A (mm) | 160* | 156 | 195 | 212 | 220 | 250* |
| B (mm) | 96 | 108 | 114 | 122 | 156 | 167 |
| C (mm) | 85 | 100 | 110 | 125 | 145 | 160 |
| D (mm) | 115 | 140 | 150 | 165 | 185 | 200 |
| L (mm) | 120 | 165 | 165 | 165 | 218 | 218 |
| Ø Drilling | 4x14 | 4x18 | 4x18 | 4x18 | 4x18 | 8x18 |
| Weight (Kg) | -- | 4.500 | 5.000 | 7.850 | 9.230 | -- |

*Under reserve

These data are for information and can be modified without notice. It is not up to us to appreciate specifications. It is up to the customer to verify the adequacy between the equipment chosen and the real conditions of use.