



AUTEXIER

MANUFACTURER OF INDUSTRIAL VALVES

93 Rue Louis Blanc - 02300 CHAUNY - FRANCE
 Phone : +33 (0)3 23 52 02 86 Fax : +33 (0)3 23 39 52 28
 Website : www.autexier.fr

Ref. 304 Family : 10

Rev. 02

Date : 04 Jan. 2022

Page 1/1

BRONZE ANGLE GLOBE VALVE Ref. 304TØ

SERIES :

- 304TØ
 - Male inlet / outlet
- For material compatibility, contact us*

CARACTERISTICS :

- PN20 (Nominal Pressure)
- ENDS : GAZ threads
- MATERIAL : BRONZE CC491K

MAXIMUM CONDITIONS OF USE :

- 20 bar of -15°C to 200°C

APPLICATIONS :

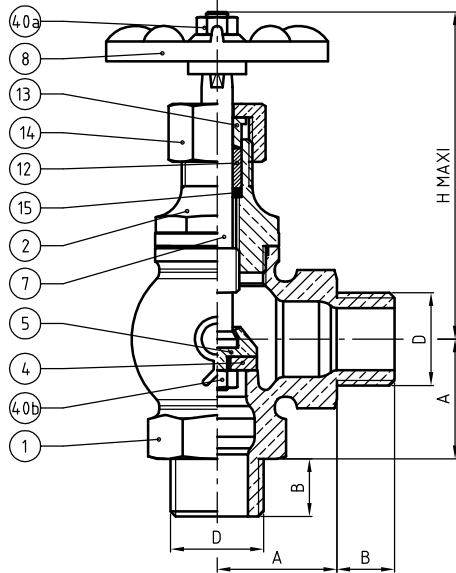
- Water-based fluids
- Steam (16 bar)
- Non toxic gases
- Water

OPTIONS :

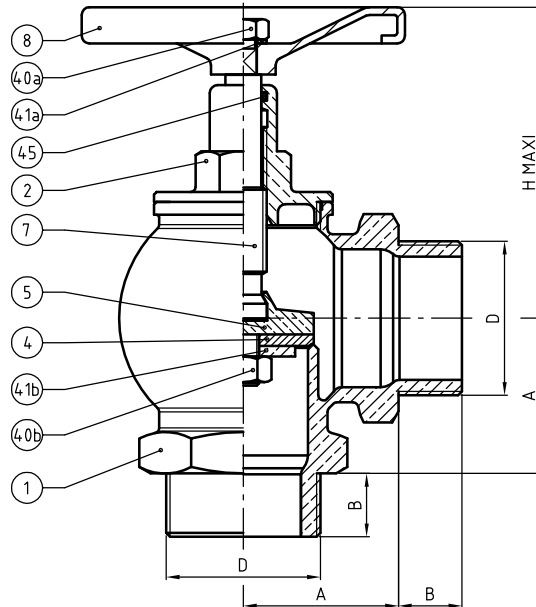
- NPT/API Connetion
- Specific dimensions, contact us*



Subject to modifications



DN15 to DN32



DN40 & DN50

| DIMENSIONS | | | | | | |
|-------------|-------|-----|-----|--------|--------|-----|
| DN | 15 | 20 | 26 | 33 | 40 | 50 |
| A (mm) | 27 | 30 | 37 | 45 | 50 | 60 |
| B (mm) | 13 | 14 | 17 | 20 | 22 | 26 |
| D (mm) | 1/2 | 3/4 | 1" | 1 1/4" | 1 1/2" | 2" |
| H (mm) | 95 | 115 | 135 | 160 | 190 | 155 |
| Weight (Kg) | 0.365 | - | - | - | - | - |

REFERENCES NORMS :

- Material : NF EN 1982 - NF EN 12163 - NF EN 12164 - NF EN 10272
- Testing & checking : NF EN 12266-1/-2 (bench test)

Ref. instruction of assembling : 0904DA173E

Ref. instruction of operation : 0904DA174E

Mounting & assembly guides are available on our website.

| NOMENCLATURE | | | |
|--------------|-----|---------------|--------------------------------|
| Rep | Qty | Designation | Material |
| 1 | 1 | BODY | BRONZE |
| 2 | 1 | BONNET | BRASS / BRONZE (DN50) |
| 4 | 1 | DISC | PTFE |
| 5 | 1 | DISC HOLDER | BRASS / BRONZE (DN50) |
| 7 | 1 | STEM | BRASS |
| 8 | 1 | HANDWHEEL | LIGHT ALLOY / STEEL (DN50) |
| 12 | 1 | PACKING | LATTYGRAPH |
| 13 | 1 | PACKING GLAND | BRASS |
| 14 | 1 | PACKING NUT | BRASS |
| 15 | 1 | THRUST DISC | BRASS |
| 40a | 1 | NUT | BRASS / STAINLESS STEEL (DN50) |
| 40b | 1 | NUT | BRASS |
| 41a | 1 | WASHER | STAINLESS STEEL |
| 41b | 1 | WASHER | BRASS |
| 45 | 1 | O-RING | FPM |

These data are for information and can be modified without notice. It is not up to us to appreciate specifications. It is up to the customer to verify the adequacy between the equipment choosen and the real conditions of use.