



AUTEXIER

MANUFACTURER OF INDUSTRIAL VALVES

93 Rue Louis Blanc - 02300 CHAUNY - FRANCE
 Phone : +33 (0)3 23 52 02 86 Fax : +33 (0)3 23 39 52 28
 Website : www.autexier.fr

Ref. 301 Family : 10

Rev. 02

Date : 04 Jan. 2022

Page 1/1

BRONZE ANGLE GLOBE VALVE Ref. 301TØ

SERIES :

- 301TØ
 - Female inlet / male outlet
- For material compatibility, contact us*

CARACTERISTICS :

- PN20 (Nominal Pressure)
- ENDS : Female GAZ threads / GAZ threads
- MATERIAL : BRONZE CC491K

MAXIMUM CONDITIONS OF USE :

- 20 bar of -15°C to 200°C

APPLICATIONS :

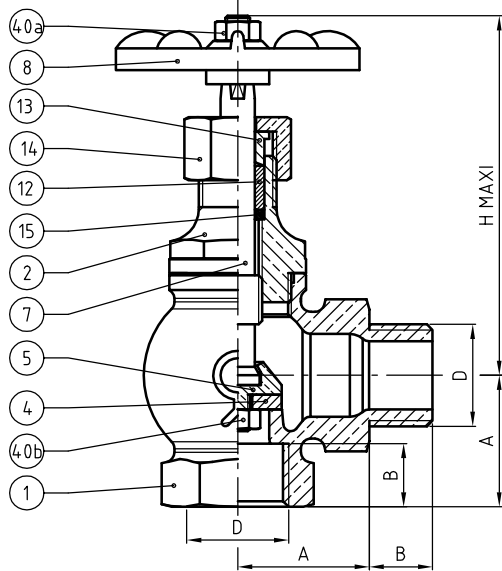
- Water-based fluids
- Steam (16 bar)
- Non toxic gases
- Water

OPTIONS :

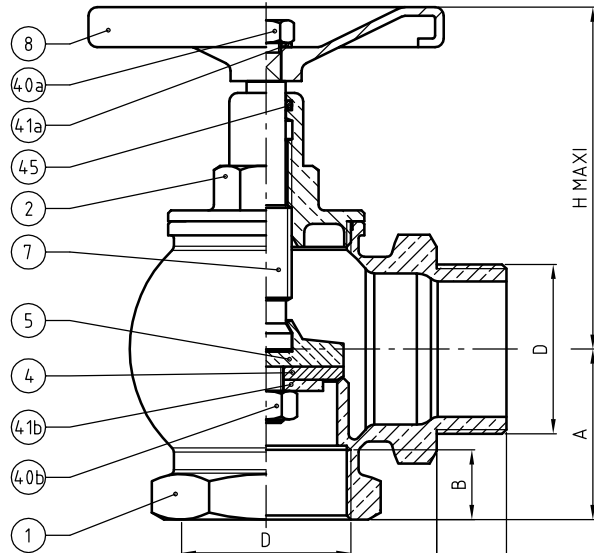
- NPT/API Connetion
- Specific dimensions, contact us*



Subject to modifications



DN15 to DN32



DN40 & DN50

DIMENSIONS						
DN	15	20	26	33	40	50
A (mm)	27	30	37	45	50	60
B (mm)	13	14	17	20	22	26
D (mm)	1/2	3/4	1"	1 1/4"	1 1/2"	2"
H (mm)	95	115	135	160	190	155
Weight (Kg)	0.335	-	-	-	-	-

NOMENCLATURE			
Rep	Qty	Designation	Material
1	1	BODY	BRONZE
2	1	BONNET	BRASS / BRONZE (DN50)
4	1	DISC	PTFE
5	1	DISC HOLDER	BRASS / BRONZE (DN50)
7	1	STEM	BRASS
8	1	HANDWHEEL	LIGHT ALLOY / STEEL (DN50)
12	1	PACKING	LATTYGRAPH
13	1	PACKING GLAND	BRASS
14	1	PACKING NUT	BRASS
15	1	THRUST DISC	BRASS
40a	1	NUT	BRASS / STAINLESS STEEL (DN50)
40b	1	NUT	BRASS
41a	1	WASHER	STAINLESS STEEL
41b	1	WASHER	BRASS
45	1	O-RING	FPM

REFERENCES NORMS :

- Material : NF EN 1982 - NF EN 12163 - NF EN 12164 - NF EN 10272
- Testing & checking : NF EN 12266-1/-2 (bench test)

Ref. instruction of assembling : 0904DA173E

Ref. instruction of operation : 0904DA174E

Mounting & assembly guides are available on our website.

These data are for information and can be modified without notice. It is not up to us to appreciate specifications. It is up to the customer to verify the adequacy between the equipment chosen and the real conditions of use.