



AUTEXIER

MANUFACTURER OF INDUSTRIAL VALVES

93 Rue Louis Blanc - 02300 CHAUNY - FRANCE
Phone : +33 (0)3 23 52 02 86 Fax : +33 (0)3 23 39 52 28
Website : www.autexier.fr

Ref. 114 Family: 15

Rev. 01

Date: 19 Jan. 2016

Page 1/1

BRONZE CHECK VALVE Ref. 114.20

SERIES :

- 114

For material compatibility, contact us

CHARACTERISTICS :

- PN30 (Nominal Pressure)

- ENDS : Female GAZ threads

- MATERIAL : BRONZE CC491K or CC499K

MAXIMUM CONDITIONS OF USE :

- 30 bar of -20°C to 120°C

APPLICATIONS :

- Air

- Water-based fluids

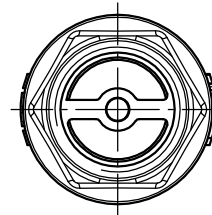
OPTIONS :

- NPT/API connection

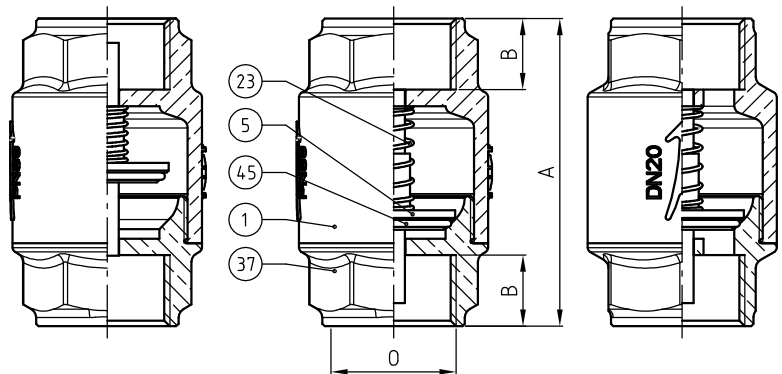
Specific dimensions, contact us



Subject to modifications



NOMENCLATURE			
Rep	Qty	Designation	Material
1	1	BODY	BRONZE
5	1	DISC HOLDER	BRASS
23	1	SPRING	STAINLESS STEEL
37	1	PLUG	BRONZE
45	1	O-RING	EPDM



REFERENCES NORMS :

- Material : NF EN 1982 - NF EN 12163 - NF EN 12164 - NF EN 10272

- Testing & checking : NF EN 12266-1/-2 (bench test)

Ref. instruction of assembling :

Ref. instruction of operation :

Mounting & assembly guides are available on our website.

DIMENSIONS	
DN	20
A (mm)	84
B (mm)	15
O	G 3/4
Weight (Kg)	0.340

These data are for information and can be modified without notice. It is not up to us to appreciate specifications. It is up to the customer to verify the adequacy between the equipment chosen and the real conditions of use.