



**AUTEXIER**

**MANUFACTURER OF INDUSTRIAL MARINE AND OIL & GAS VALVES  
IN BRONZE AND ALUMINIUM-BRONZE**

93, rue Louis Blanc - 02300 CHAUNY - FRANCE  
Tel : +33 (0)3.23.52.02.86 - Fax : +33 (0)3.23.39.52.28  
[www.autexier.fr](http://www.autexier.fr)

### Instruction for use for globe valves

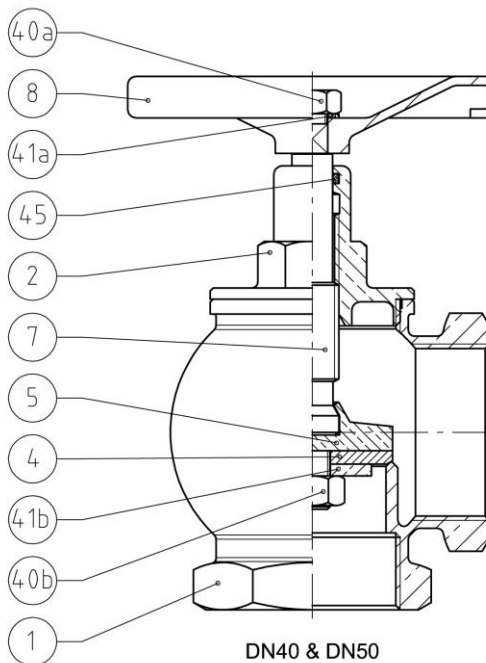
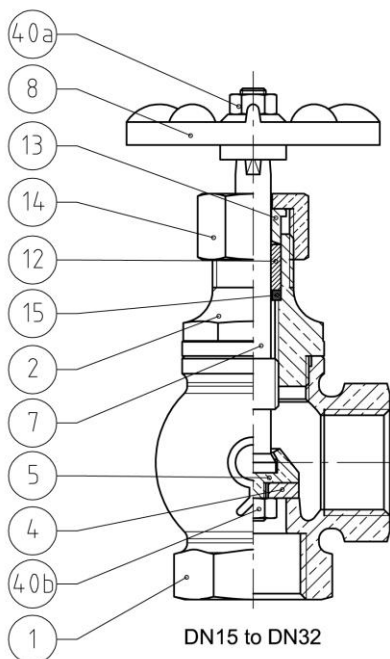


**300T, 301T, 303T, 304T, AU300T, AU301T, AU303T and AU304T**

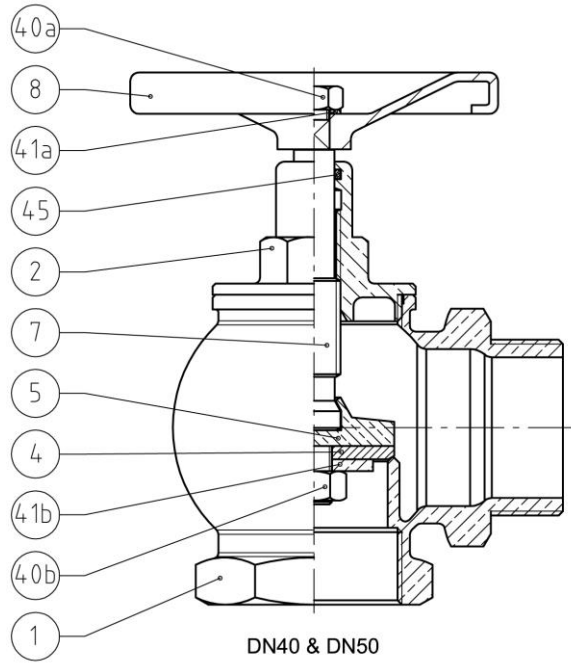
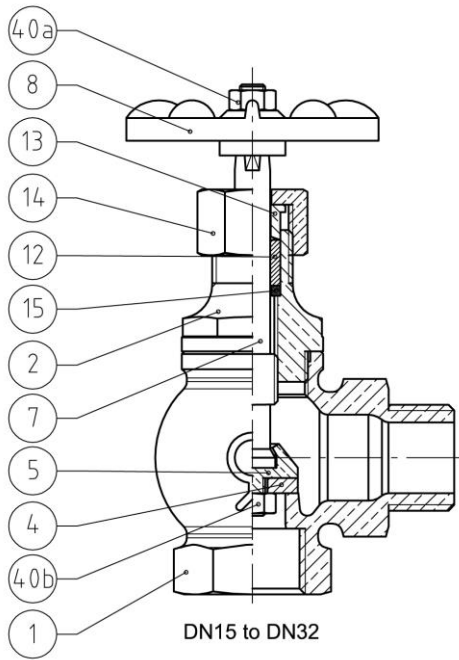
#### Operation

This globe valve opens and shuts by turning the wheel **8**. This rotation lifts or lowers the *disk* **4** thanks to a spiral link (screw/nut connections) between the *stem* **7** and the *bonnet* **2**. Please respect the direction of the fluid indicated by the arrow.

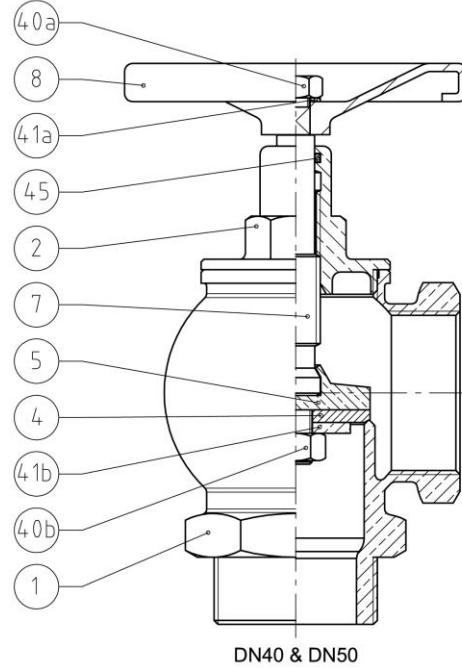
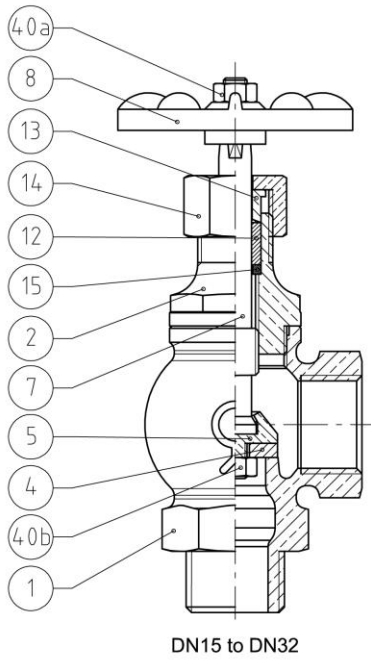
Ref. 300T / AU300T



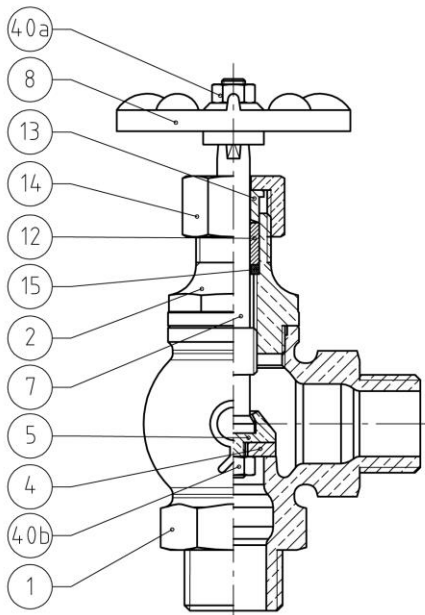
Ref. 301T / AU301T



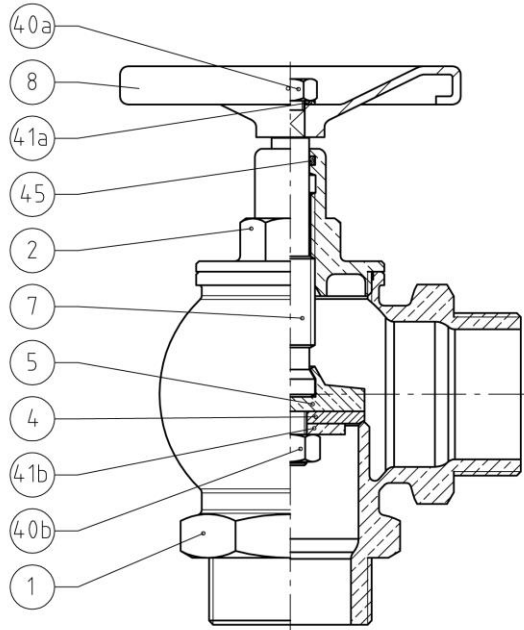
Ref. 303T / AU303T



Ref. 304T / AU304T



DN15 to DN32



DN40 & DN50

Ref. Document 0904DA174E version 00 of 03 Jan. 2022

