



AUTEXIER

MANUFACTURER OF INDUSTRIAL VALVES

93 Rue Louis Blanc - 02300 CHAUNY - FRANCE
Phone: +33 (0)3 23 52 02 86 Fax : +33 (0)3 23 39 52 28
Website : www.autexier.fr

Ref. AU3202 Family : 46

Rev. 03

Date : 11 March 2021

Page 1/1

ALUMINIUM BRONZE FIRE HYDRANT STRAIGHT PATTERN VALVE

Ref. AU3202.Ø

SERIES :

- AU3202.Ø

For material compatibility, contact us



CHARACTERISTICS :

- PN16 (Nominal Pressure)
- ENDS : Flange ISO PN16 / Guillemín or Storz outlet coupling
- MATERIAL : ALUMINIUM BRONZE CC333G

MAXIMUM CONDITIONS OF USE :

- 16 bar of -10°C to 100°C

APPLICATIONS :

- Fire networks
- Seawater

OPTIONS :

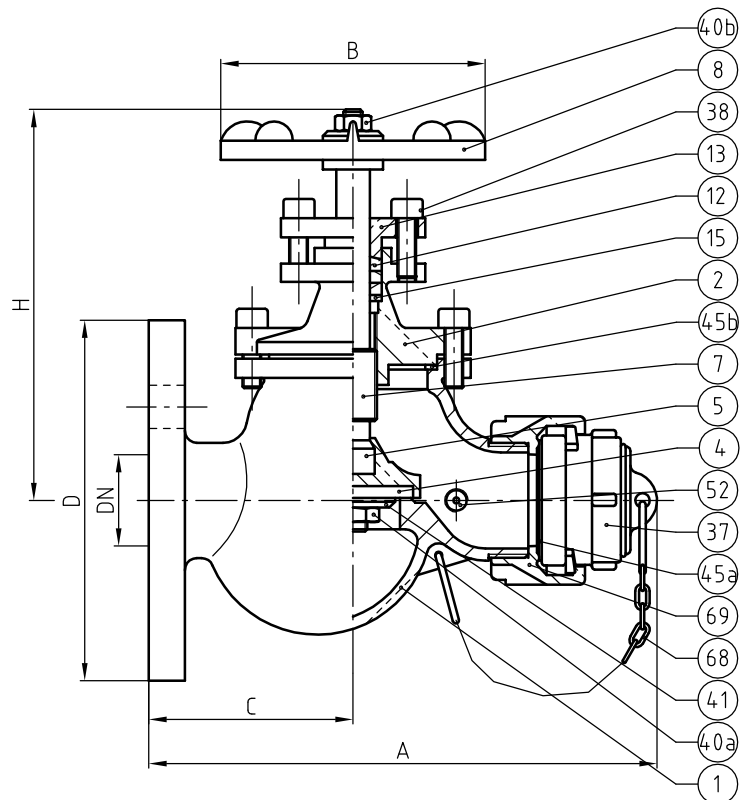
- Double tightness packing
- Drilling on demand

Specific dimensions, contact us



*Subject to modifications
Photo for information only*

| NOMENCLATURE | | | |
|--------------|-----|-----------------|------------------|
| Rep | Qty | Designation | Material |
| 1 | 1 | BODY | ALUMINIUM BRONZE |
| 2 | 1 | BONNET | ALUMINIUM BRONZE |
| 4 | 1 | DISC | NBR |
| 5 | 1 | DISC HOLDER | ALUMINIUM BRONZE |
| 7 | 1 | STEM | ALUMINIUM BRONZE |
| 8 | 1 | HANDWHEEL | ALUMINIUM ALLOY |
| 12 | 1 | PACKING | GRAPHITE + FIBER |
| 13 | 1 | PACKING GLAND | ALUMINIUM BRONZE |
| 15 | 1 | THRUST DISC | ALUMINIUM BRONZE |
| 37 | 1 | PLUG | BRONZE |
| 38 | 6 | SCREW | STAINLESS STEEL |
| 40a | 1 | NUT | STAINLESS STEEL |
| 40b | 1 | NUT | STAINLESS STEEL |
| 41 | 1 | WASHER | ALUMINIUM BRONZE |
| 45a | 1 | GASKET | NBR |
| 45b | 1 | GASKET | LATTYGOLD |
| 52 | 1 | TAP DRAIN VALVE | ALUMINIUM BRONZE |
| 68 | 1 | CHAIN | STAINLESS STEEL |
| 69 | 1 | FITTING | BRONZE |



REFERENCES NORMS :

- Material : NF EN 1982 - NF EN 12163 - NF EN 12164 - NF EN 10272
- Testing & checking : NF EN 12266-1/-2 (bench test)
- Flange : NF EN 1092-3
- Fitting : NF E 29-572 / DIN 14 307/311

Ref. instruction of assembling : 0904DA119E

Ref. instruction of operation : 0904DA120E

**Mounting & assembly guides are available
on our website.**

| DIMENSIONS | | |
|-------------|-------|-------|
| DN | 40 | 50 |
| A (mm) | 212 | 212 |
| B (mm) | 110 | 110 |
| C (mm) | 85 | 85 |
| D (mm) | 150 | 165 |
| H (mm) | 176 | 176 |
| Weight (Kg) | 5.175 | 5.680 |

These data are for information and can be modified without notice. It is not up to us to appreciate specifications. It is up to the customer to verify the adequacy between the equipment chosen and the real conditions of use.