



AUTEXIER

MANUFACTURER OF INDUSTRIAL VALVES

93 Rue Louis Blanc - 02300 CHAUNY - FRANCE
 Phone : +33 (0)3 23 52 02 86 Fax : +33 (0)3 23 39 52 28
 Website : www.autexier.fr

Ref. AU3198 Family : 46

Rev. 03

Date : 10 Dec. 2021

Page 1/1

ALUMINIUM BRONZE FIRE HYDRANT ANGLE VALVE

Ref. AU3198.Ø

SERIES :

- AU3198

For material compatibility, contact us

CARACTERISTICS :

- PN16 (Nominal Pressure)
- ENDS : Flange ISO PN16 / Guillemin or Storz outlet coupling
- MATERIAL : ALUMINIUM BRONZE CC333G

MAXIMUM CONDITIONS OF USE :

- 16 bar of -10°C to 100°C

APPLICATIONS :

- Fire networks
- Seawater

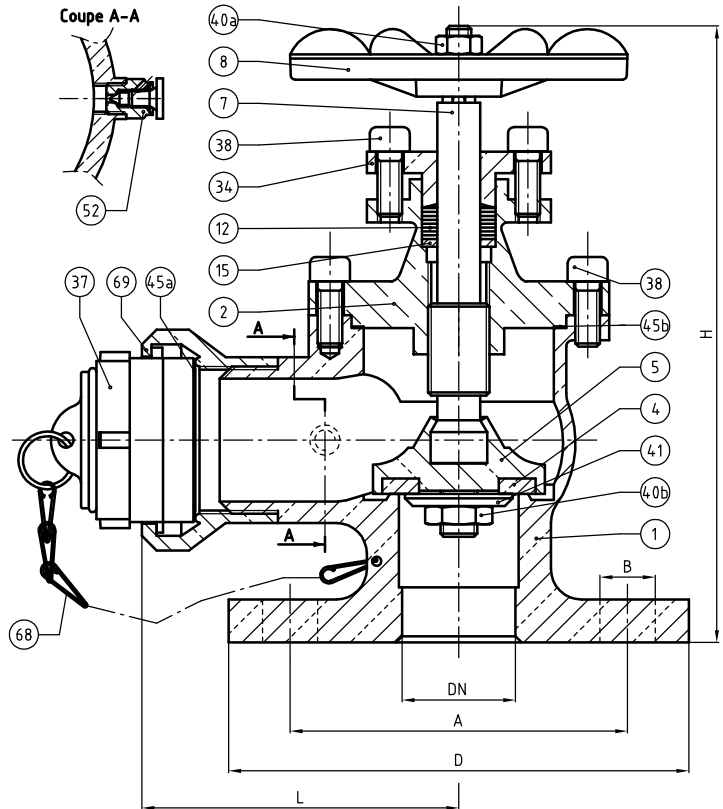
OPTIONS :

- Special drilling

Specific dimensions, contact us



*Subject to modifications
Photo for information only*



NOMENCLATURE

Rep	Qty	Designation	Material
1	1	BODY	ALUMINIUM BRONZE
2	1	BONNET	ALUMINIUM BRONZE
4	1	DISC	NBR
5	1	DISC HOLDER	ALUMINIUM BRONZE
7	1	STEM	ALUMINIUM BRONZE
8	1	HANDWHEEL	EPOXY COATED ZAMAK
12	1	PACKING	GRAPHITE + FIBER
13	1	PACKING GLAND	ALUMINIUM BRONZE
15	1	THRUST DISC	ALUMINIUM BRONZE
37	1	PLUG	BRONZE
38	6	SCREW	STAINLESS STEEL
40a	1	NUT	ALUMINIUM BRONZE
40b	1	NUT	ALUMINIUM BRONZE
41	1	WASHER	ALUMINIUM BRONZE
45a	1	GASKET	NBR
45b	1	GASKET	LATTYGOLD
52	1	TAP DRAIN VALVE	ALUMINIUM BRONZE
68	1	CHAIN	STAINLESS STEEL
69	1	FITTING	BRONZE

REFERENCES NORMS :

- Material : NF EN 1982 - NF EN 12163 - NF EN 12164 - NF EN 10272
- Testing & checking : NF EN 12266-1/-2 (bench test)
- Flange : NF EN 1092-3
- Fitting : NF E 29-572 / DIN 14 307/311

Ref. instruction of assembling : 0904DA119E

Ref. instruction of operation : 0904DA120E

Mounting & assembly guides are available on our website.

DIMENSIONS	
DN	40
A (mm)	110
B (mm)	18
D (mm)	150
H (mm)	205
L (mm)	104
Weight (Kg)	4.715

These data are for information and can be modified without notice. It is not up to us to appreciate specifications. It is up to the customer to verify the adequacy between the equipment chosen and the real conditions of use.