



AUTEXIER

MANUFACTURER OF INDUSTRIAL VALVES

93 Rue Louis Blanc - 02300 CHAUNY - FRANCE
Phone : +33 (0)3 23 52 02 86 Fax : +33 (0)3 23 39 52 28
Website : www.autexier.fr

Ref. A3298 Family: 46

Rev.: 04

Date: 27 Feb. 2020

Page 1/1

BRONZE FIRE HYDRANT BIB-NOSE 45° VALVE Ref. A3298.Ø

SERIES :

- A3298.Ø

For material compatibility, contact us

CHARACTERISTICS :

- PN16 (Nominal Pressure)
- ENDS : Flange ISO PN16 / Guillemín outlet coupling
- MATERIAL : BRONZE CC491K

MAXIMUM CONDITIONS OF USE :

- 16 bar of -15°C to 100°C

APPLICATIONS :

- Fire networks
- Seawater

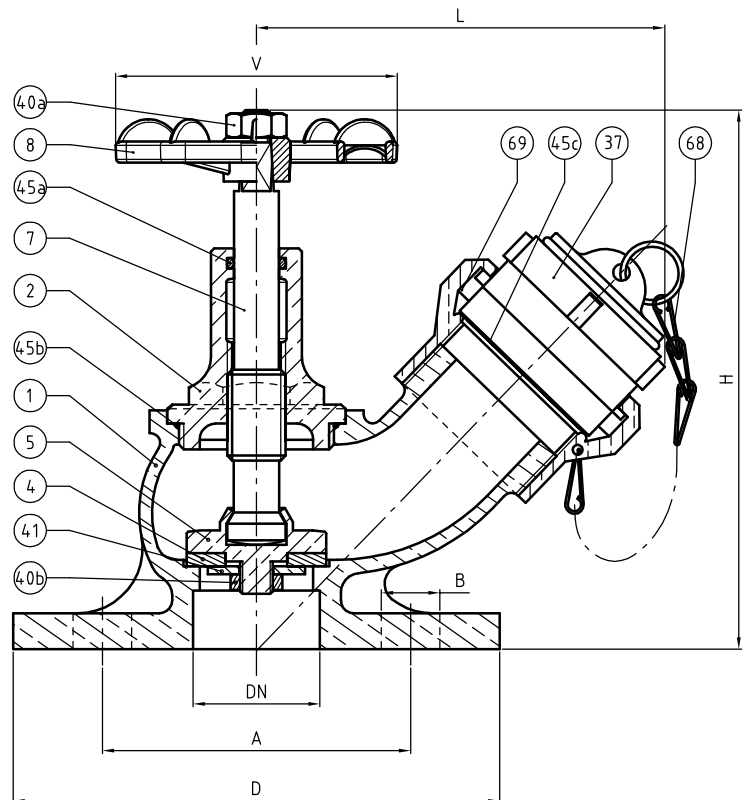
OPTIONS :

- Special drilling
- Specific dimensions, contact us*



*Subject to modifications
Photo for information only*

NOMENCLATURE			
Rep	Qty	Designation	Material
1	1	BODY	BRONZE
2	1	BONNET	BRONZE
4	1	DISC	PTFE
5	1	DISC HOLDER	BRONZE
7	1	STEM	ALUMINIUM BRONZE
8	1	HANDWHEEL	EPOXY COATED ZAMAK
37	1	PLUG	BRONZE
40a	1	NUT	STAINLESS STEEL
40b	1	NUT	STAINLESS STEEL
41	2	WASHER	ALUMINIUM BRONZE
45a	1	GASKET	FPM
45b	1	GASKET	FPM
45c	1	GASKET	NBR
68	1	CHAIN	STAINLESS STEEL
69	1	FITTING	BRONZE



REFERENCES NORMS :

- Material : NF EN 1982 - NF EN 12163 - NF EN 12164 - NF EN 10272
- Testing & checking : NF EN 12266-1/-2 (bench test)
- Flange : NF EN 1092-3

Ref. instruction of assembling : 0904DA119E

Ref. instruction of operation : 0904DA120E

Mounting & assembly guides are available on our website.

DIMENSIONS	
DN	40
A (mm)	110
B (mm)	18
D (mm)	150
H (mm)	176
L (mm)	118
V (mm)	90
Weight (Kg)	3.300

These data are for information and can be modified without notice. It is not up to us to appreciate specifications. It is up to the customer to verify the adequacy between the equipment chosen and the real conditions of use.