



AUTEXIER

MANUFACTURER OF INDUSTRIAL VALVES

93 Rue Louis Blanc - 02300 CHAUNY - FRANCE
 Phone : +33 (0)3 23 52 02 86 Fax : +33 (0)3 23 39 52 28
 Website : www.autexier.fr

Ref. A3202 Family : 46

Rev. 03

Date : 11 March 2021

Page 1/1

BRONZE FIRE HYDRANT STRAIGHT PATTERN VALVE

Ref. A3202.Ø

SERIES :

- A3202.Ø

For material compatibility, contact us

CHARACTERISTICS :

- PN16 (Nominal Pressure)
- ENDS : Flange ISO PN16 / Guillemín or Storz outlet coupling
- MATERIAL : BRONZE CC491K

MAXIMUM CONDITIONS OF USE :

- 16 bar of -15°C to 100°C

APPLICATIONS :

- Fire networks

OPTIONS :

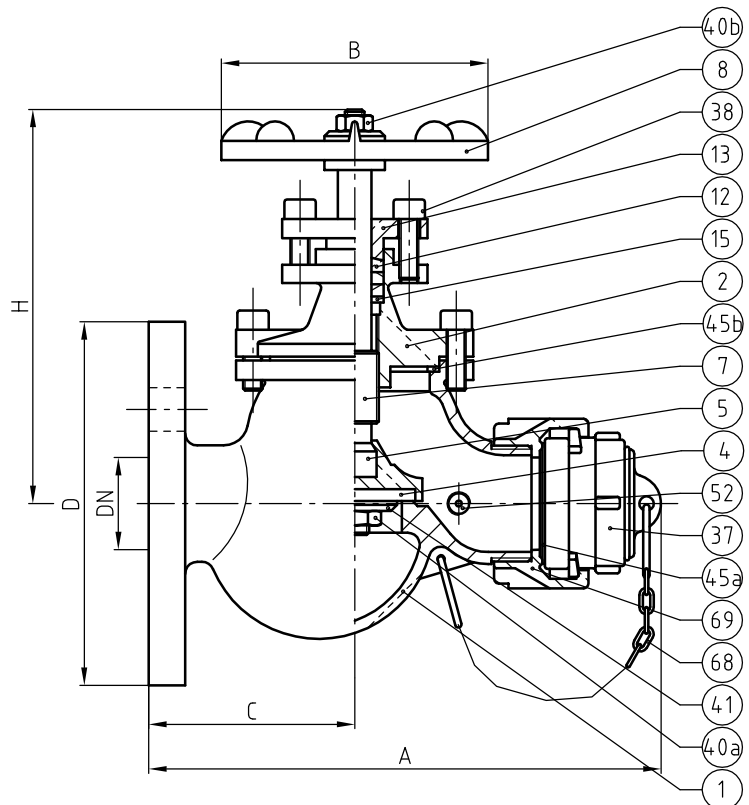
- Double tightness packing
- Drilling on demand

Specific dimensions, contact us



*Subject to modifications
Photo for information only*

NOMENCLATURE			
Rep	Qty	Designation	Material
1	1	BODY	BRONZE
2	1	BONNET	BRONZE
4	1	DISC	NBR
5	1	DISC HOLDER	BRONZE
7	1	STEM	BRASS
8	1	HANDWHEEL	ALUMINIUM ALLOY
12	1	PACKING	GRAPHITE + FIBER
13	1	PACKING GLAND	BRONZE
15	1	THRUST DISC	BRASS
37	1	PLUG	BRONZE
38	6	SCREW	STAINLESS STEEL
40a	1	NUT	STAINLESS STEEL
40b	1	NUT	STAINLESS STEEL
41	1	WASHER	BRASS
45a	1	GASKET	NBR
45b	1	GASKET	LATTYGOLD
52	1	TAP DRAIN VALVE	BRASS
68	1	CHAIN	STAINLESS STEEL
69	1	FITTING	BRONZE



REFERENCES NORMS :

- Material : NF EN 1982 - NF EN 12163 - NF EN 12164 - NF EN 10272
- Testing & checking : NF EN 12266-1/-2 (bench test)
- Flange : NF EN 1092-3
- Fitting : NF E 29-572 / DIN 14 307/311

Ref. instruction of assembling : 0904DA119E

Ref. instruction of operation : 0904DA120E

Mounting & assembly guides are available on our website.

DIMENSIONS		
DN	40	50
A (mm)	212	212
B (mm)	110	110
C (mm)	85	85
D (mm)	150	165
H (mm)	176	176
Weight (Kg)	5.985	6.980

These data are for information and can be modified without notice. It is not up to us to appreciate specifications. It is up to the customer to verify the adequacy between the equipment chosen and the real conditions of use.