



# AUTEXIER

MANUFACTURER OF INDUSTRIAL VALVES

93 Rue Louis Blanc - 02300 CHAUNY - FRANCE  
 Phone : +33 (0)3 23 52 02 86 Fax : +33 (0)3 23 39 52 28  
 Website : www.autexier.fr

Ref. A3198 Family : 46

Rev. 03

Date : 10 Dec. 2021

Page 1/1

## BRONZE FIRE HYDRANT ANGLE VALVE Ref. A3198.Ø

**SERIES :**

- A3198

*For material compatibility, contact us*

**CHARACTERISTICS :**

- PN16 (Nominal Pressure)
- ENDS : Flange ISO PN16 / Guillemín or Storz outlet coupling
- MATERIAL : BRONZE CC491K

**MAXIMUM CONDITIONS OF USE :**

- 16 bar of -15°C to 100°C

**APPLICATIONS :**

- Fire networks

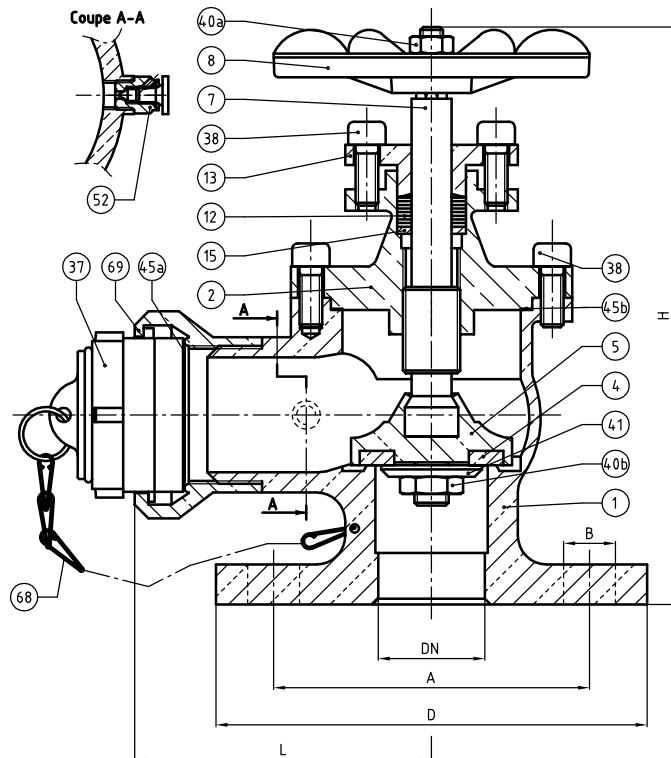
**OPTIONS :**

- Special drilling
- Specific dimensions, contact us*



*Subject to modifications  
Photo for information only*

NOMENCLATURE			
Rep	Qty	Designation	Material
1	1	BODY	BRONZE
2	1	BONNET	BRONZE
4	1	DISC	NBR
5	1	DISC HOLDER	BRONZE
7	1	STEM	BRASS
8	1	HANDWHEEL	EPOXY COATED ZAMAK
12	1	PACKING	GRAPHITE + FIBER
13	1	PACKING GLAND	BRONZE
15	1	THRUST DISC	BRASS
37	1	PLUG	BRONZE
38	6	SCREW	STAINLESS STEEL
40a	1	NUT	BRASS
40b	1	NUT	BRASS
41	1	WASHER	BRASS
45a	1	GASKET	NBR
45b	1	GASKET	LATTYGOLD
52	1	TAP DRAIN VALVE	BRASS
68	1	CHAIN	STAINLESS STEEL
69	1	FITTING	BRONZE



**REFERENCES NORMS :**

- Material : NF EN 1982 - NF EN 12163 - NF EN 12164 - NF EN 10272
- Testing & checking : NF EN 12266-1/-2 (bench test)
- Flange : NF EN 1092-3
- Fitting : NF E 29-572 / DIN 14 307/311

Ref. instruction of assembling : 0904DA119E

Ref. instruction of operation : 0904DA120E

**Mounting & assembly guides are available on our website.**

DIMENSIONS	
DN	40
A (mm)	110
B (mm)	18
D (mm)	150
H (mm)	205
L (mm)	104
Weight (Kg)	5.320

*These data are for information and can be modified without notice. It is not up to us to appreciate specifications. It is up to the customer to verify the adequacy between the equipment chosen and the real conditions of use.*