



AUTEXIER

MANUFACTURER OF INDUSTRIAL VALVES

93 Rue Louis Blanc - 02300 CHAUNY - FRANCE
 Phone : +33 (0)3 23 52 02 86 Fax : +33 (0)3 23 39 52 28
 Website : www.autexier.fr

Ref. 53 Family : 03

Rev. 04

Date : 09 Dec. 2021

Page 1/1

BRONZE FLANGED CONICAL PLUG VALVE

Ref: 53LØ / 53TØ

SERIES :

- 53
- Bronze / Bronze contact
- Three-ways L or T light

For material compatibility, contact us

CHARACTERISTICS :

- PN16 (Nominal Pressure)
- ENDS : Flanges ISO PN16
- MATERIAL : BRONZE CC491K

MAXIMUM CONDITIONS OF USE :

- 16 bar of -45°C to 225°C

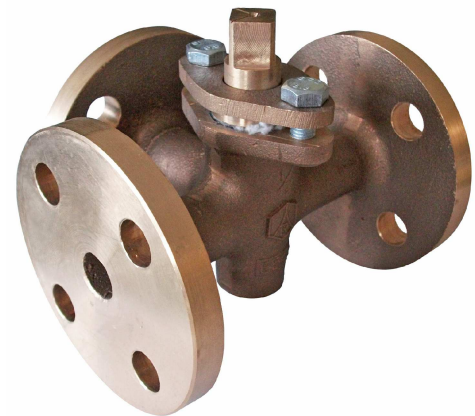
APPLICATIONS :

- Asphalt
- Water-based fluids
- Oil & gas, paintings, adhesives

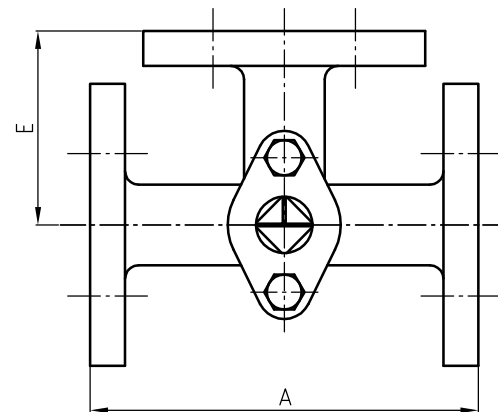
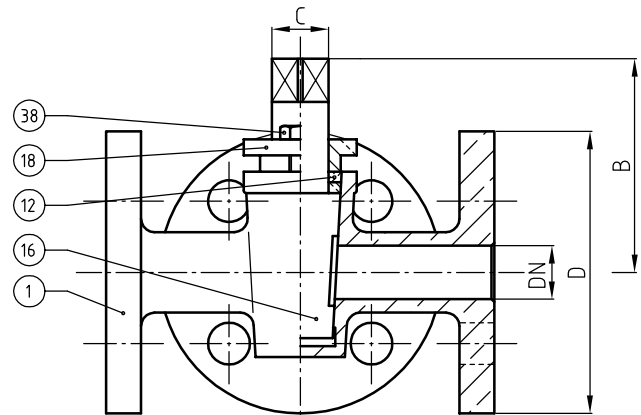
OPTIONS :

- Handlever square on demand
- Special drilling

Specific dimensions, contact us



Subject to modifications



NOMENCLATURE

Rep	Qty	Designation	Material
1	1	BODY	BRONZE
12	1	PACKING	GRAPHITE CERAMIQUE
16	1	PLUG	BRONZE
18	1	COUNTER FLANGE	BRONZE
38	2	SCREW	STAINLESS STEEL

DIMENSIONS

DN	15	20	25	32	40	50	65	80
A (mm)	130	145	158	183	200	220	250	265
B (mm)	70	80	85	103	110	135	150	175
C (mm)	14	16	17	19	23	29	38	44
D (mm)	95	105	115	140	150	165	185	200
E (mm)	65	72	79	92	100	110	125	132
Weight (Kg) Ref 53L	2.560	3.700	4.700	7.540	9.650	13.370	20.550	27.500
Weight (Kg) Ref 53T	2.540	3.700	4.700	7.340	9.650	12.480	20.400	27.000

REFERENCES NORMS :

- Material : NF EN 1982 - NF EN 12163 - NF EN 12164 - NF EN 10272
- Testing & checking : NF EN 12266-1/-2 (bench test)
- Flanges : NF EN 1092-3

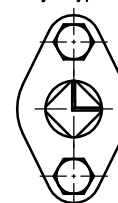
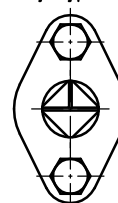
Ref. instruction of assembling : 0904DA117E

Ref. instruction of operation : 0904DA118E

Mounting & assembly guides are available on our website.

3 ways Type 53T

2 ways Type 53L



These data are for information and can be modified without notice. It is not up to us to appreciate specifications. It is up to the customer to verify the adequacy between the equipment chosen and the real conditions of use.