



# AUTEXIER

MANUFACTURER OF INDUSTRIAL VALVES

93 Rue Louis Blanc - 02300 CHAUNY - FRANCE  
Phone : +33 (0)3 23 52 02 86 Fax : +33 (0)3 23 39 52 28  
Website : www.autexier.fr

Ref. 51LØ Family : 02

Rev. 04

Date : 09 Dec. 2021

Page 1/1

## BRONZE CONICAL PLUG VALVE Ref. 51LØ

### GAMME :

- 51LØ
- Bronze / Bronze contact
- Tree-ways female L light
- Bolted stuffing box

*Pour compatibilité matériaux, nous consulter*



### CARACTÉRISTIQUES :

- PN10 (Pression Nominale)
- EXTRÉMITÉS : BSP female threads
- MATIÈRE : BRONZE CC491K

### CONDITIONS MAXIMALES D'UTILISATION :

- 10 bar of -45°C to 225°C

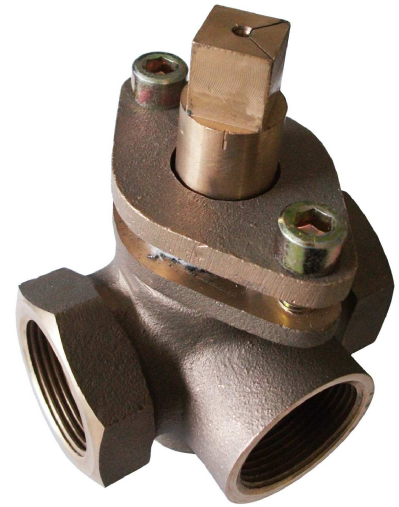
### APPLICATIONS :

- Asphalt
- Water-based fluids
- Oil & gas, paintings, adhesives

### OPTIONS :

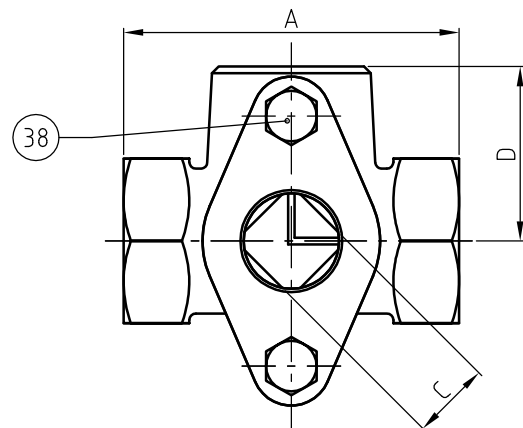
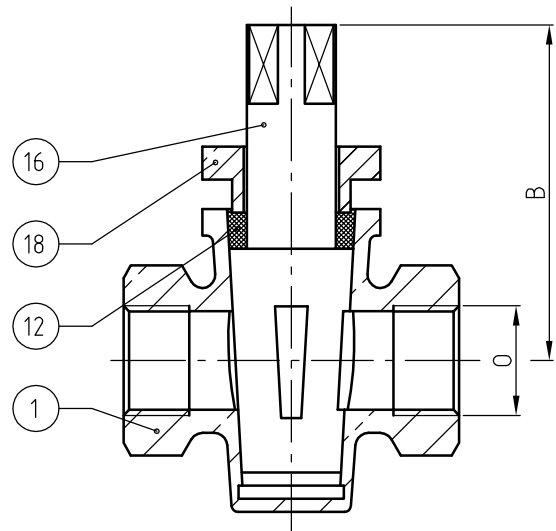
- Handlever square on demand
- NPT / API connection

*Dimensionnel hors standard nous consulter*



NOMENCLATURE			
Rep	Qty	Designation	Material
1	1	BODY	BRONZE
12	1	PACKING	GRAPHITE CERAMIQUE
16	1	PLUG	BRONZE
18	1	COUNTER FLANGE	BRONZE
38	2	SCREW	STAINLESS STEEL

DIMENSIONS								
DN	08	12	15	20	25	32	40	50
A (mm)	53	53	70	80	90	104	117	132
B (mm)	51	51	68	77	90	102	110	135
C (mm)	9	12	14	16	17	19	23	29
D (mm)	26.5	26.5	35	40	45	50	60	68
O	G1/4"	G3/8"	G1/2"	G3/4"	G1"	G1"1/4	G1"1/2	G2"
Weight (Kg)	0.380	0.360	0.726	0.966	1.506	2.240	3.775	5.083



### REFERENCES NORMS :

- Material : NF EN 1982 - NF EN 12163 - NF EN 12164 - NF EN 10272
- Testing & checking : NF EN 12266-1/-2 (bench test)

Ref. instruction of assembling : 0904DA117E

Ref. instruction of operation : 0904DA118E

**Mounting & assembly guides are available on our website.**

*These data are for information and can be modified without notice. It is not up to us to appreciate specifications. It is up to the customer to verify the adequacy between the equipment chosen and the real conditions of use.*