



AUTEXIER

MANUFACTURER OF INDUSTRIAL VALVES

93 Rue Louis Blanc - 02300 CHAUNY - FRANCE
Phone : +33 (0)3 23 52 02 86 Fax : +33 (0)3 23 39 52 28
Website : www.autexier.fr

Ref. 46 Family : 02

Rev. 04

Date : 09 Dec. 2021

Page 1/1

BRONZE CONICAL PLUG VALVE

Ref. 46.Ø

SERIES :

- 46.Ø
- Bronze / Bronze contact
- Four-ways X light

For material compatibility, contact us



CHARACTERISTICS :

- PN10 (Nominal Pressure)
- ENDS : BSP female threads
- MATERIAL : BRONZE CC491K

MAXIMUM CONDITIONS OF USE :

- 10 bar of -45°C to 225°C

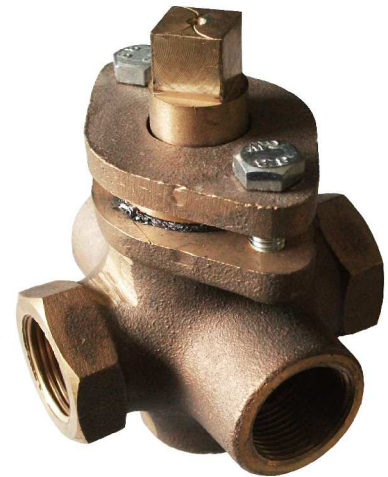
APPLICATIONS :

- Asphalt
- Water-based fluids
- Oil & gas, paintings, adhesives

OPTIONS :

- Handlever square on demand
- NPT / API connection

Specific dimensions, contact us



Subject to modifications

NOMENCLATURE			
Rep	Qty	Designation	Material
1	1	BODY	BRONZE
12	1	PACKING	GRAPHITE CERAMIC
16	1	PLUG	BRONZE
18	1	COUNTER FLANGE	BRONZE
38	2	SCREW	STAINLESS STEEL

DIMENSIONS								
DN	08	12	15	20	25	32	40	50
A (mm)	55	55	80	86	98	120	150	140
B (mm)	53	53	69	80	98	114	128	150
C (mm)	10	12	14	16	17	19	23	32
D (mm)	55	55	80	88	98	120	150	140
O	G1/4"	G3/8"	G1/2"	G3/4"	G1"	G1"1/4"	G1"1/2"	G2"
Weight (kg)	0.500	0.449	1.077	1.435	2.290	3.750	6.142	7.660

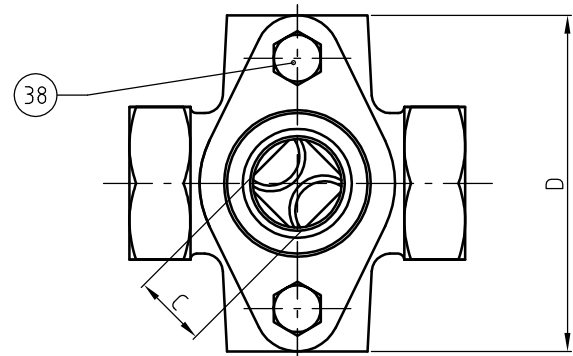
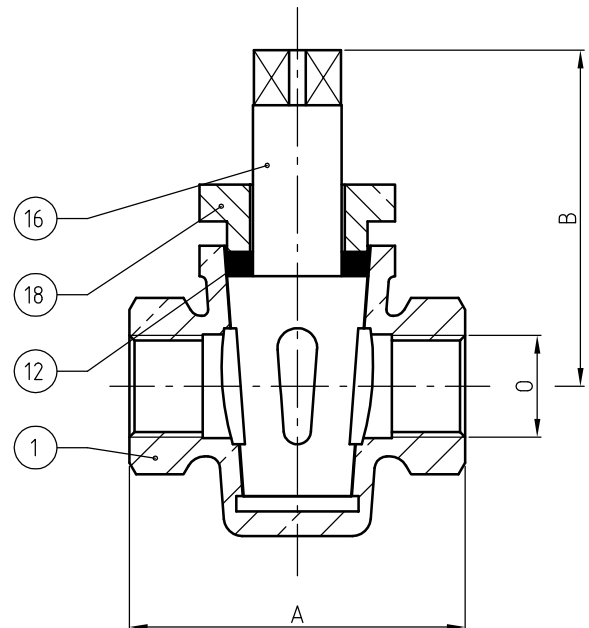
REFERENCES NORMS :

- Material : NF EN 1982 - NF EN 12163 - NF EN 12164 - NF EN 10272
- Testing & checking : NF EN 12266-1/-2 (bench test)

Ref. instruction of assembling : 0904DA117E

Ref. instruction of operation : 0904DA118E

Mounting & assembly guides are available on our website.



These data are for information and can be modified without notice. It is not up to us to appreciate specifications. It is up to the customer to verify the adequacy between the equipment chosen and the real conditions of use.