



AUTEXIER

MANUFACTURER OF INDUSTRIAL VALVES

93 Rue Louis Blanc - 02300 CHAUNY - FRANCE
Phone : +33 (0)3 23 52 02 86 Fax : +33 (0)3 23 39 52 28
Website : www.autexier.fr

Ref. 44LØ/44TØ Family: 01

Rev. 03

Date : 08 Dec. 2021

Page 1/1

BRONZE CONICAL PLUG VALVE Ref. 44LØ / 44TØ

SERIES :

- 44LØ : L light
- 44TØ : T light
- Bronze / Bronze contact

For material compatibility, contact us



CHARACTERISTICS :

- PN10 (Nominal Pressure)
- ENDS : BSP female threads
- MATERIAL : BRONZE CC491K

MAXIMUM CONDITIONS OF USE :

- 10 bar of -45°C to 225°C

APPLICATIONS :

- Water-based fluids
- Oil & gas, paintings, adhesives

OPTIONS :

- Handlever square on demand
- NPT / API connection

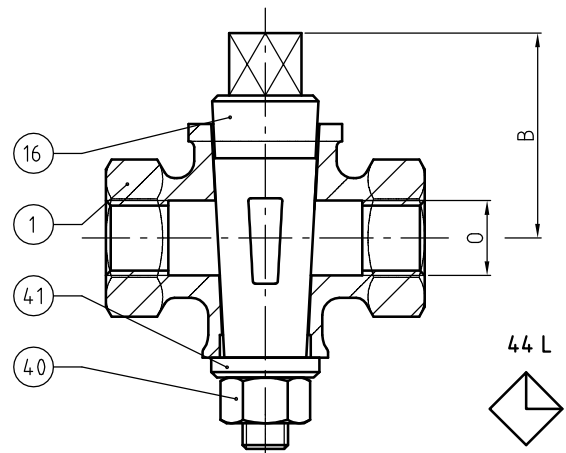
Specific dimensions, contact us



Subject to modifications

NOMENCLATURE			
Rep	Qty	Designation	Material
1	1	BODY	BRONZE
16	1	PLUG	BRONZE
40	1	NUT	BRASS
41	1	WASHER	BRASS

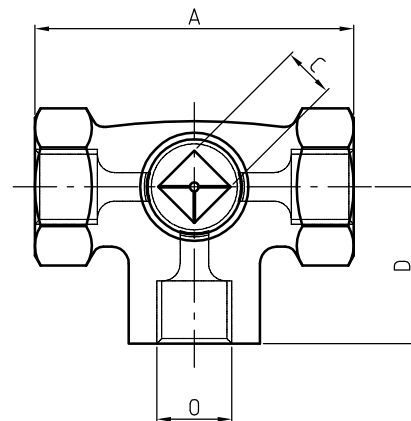
DIMENSIONS								
DN	08	12	15	20	25	32	40	50
A (mm)	56	56	68	76	83	100	111	123
B (mm)	39.5	39.5	49	50.5	61	70	87.5	93
C (mm)	9	12	14	16	18	20	18	28
D (mm)	27.5	27.5	34	39	44	50	55	63
O	G1/4"	G3/8"	G1/2"	G3/4"	G1"	G1"1/4	G1"1/2	G"2
Weight (Kg)	0.310	0.282	0.470	0.740	1.080	1.620	2.640	3.600



44 L



44 T



REFERENCES NORMS :

- Material : NF EN 1982 - NF EN 12163 - NF EN 12164 - NF EN 10272
- Testing & checking : NF EN 12266-1/-2 (bench test)

Ref. instruction of assembling : 0904DA129E

Ref. instruction of operation : 0904DA130E

Mounting & assembly guides are available on our website.

These data are for information and can be modified without notice. It is not up to us to appreciate specifications. It is up to the customer to verify the adequacy between the equipment chosen and the real conditions of use.