



AUTEXIER

MANUFACTURER OF INDUSTRIAL VALVES

93 Rue Louis Blanc - 02300 CHAUNY - FRANCE
Phone : +33 (0)3 23 52 02 86 Fax : +33 (0)3 23 39 52 28
Website : www.autexier.fr

Ref. 36 Family : 01

Rev. 04

Date : 03 Déc. 2021

Page 1/1

BRONZE CONICAL PLUG VALVE

Ref. 36.Ø

SERIES :

- 36.Ø
 - Bronze / Bronze contact
- For material compatibility, contact us*



CHARACTERISTICS :

- PN10 (Nominal Pressure)
- ENDS : BSP male / female threads
- MATERIAL : BRONZE CC491K

MAXIMUM CONDITIONS OF USE :

- 10 bar of -45°C to 225°C

APPLICATIONS :

- Water-based fluids
- Oil & gas, paintings, adhesives

OPTIONS :

- Handlever square on demand
- NPT / API connection

Specific dimensions, contact us



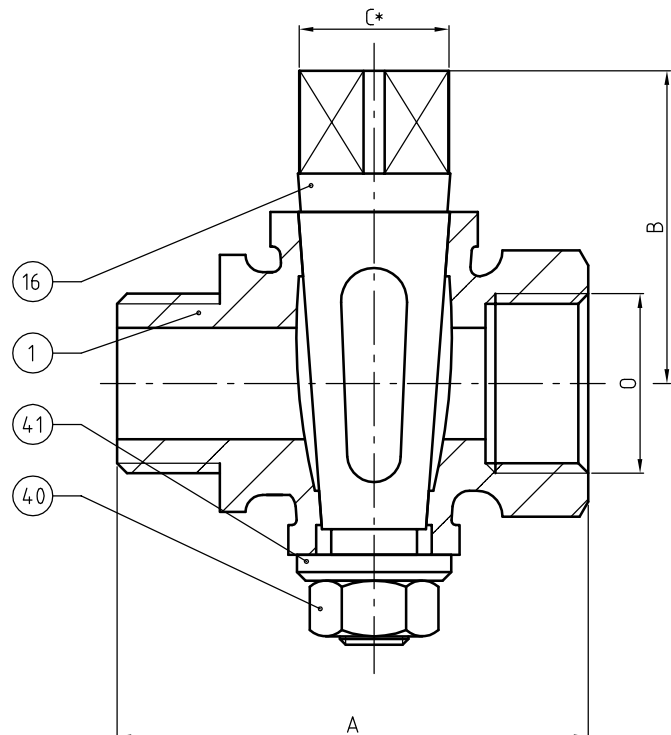
Subject to modifications

NOMENCLATURE

Rep	Qty	Designation	Material
1	1	BOBY	BRONZE
16	1	PLUG	BRONZE
40	1	NUT	BRASS
41	1	WASHER	BRASS

DIMENSIONS

DN	08	12	15	20	25	32	40	50
A (mm)	45	50	55	65	75	-	-	-
B (mm)	27	32	36.5	45	54.5	70	75.5	92.5
C* (mm)	09	12	14	16	17	19	22	29
O	G1/4"	G3/8"	G1/2"	G3/4"	G1"	G1"1/4	G1"1/2	G2"
Weight (kg)	0.100	0.160	0.220	0.380	0.561	-	-	-



REFERENCES NORMS :

- Material : NF EN 1982 - NF EN 12163 - NF EN 12164 - NF EN 10272
- Testing & checking : NF EN 12266-1/-2 (bench test)

Ref. instruction of assembling : 0904DA129E

Ref. instruction of operation : 0904DA130E

**Mounting & assembly guides are available
on our website.**

These data are for information and can be modified without notice. It is not up to us to appreciate specifications. It is up to the customer to verify the adequacy between the equipment chosen and the real conditions of use.