



AUTEXIER

MANUFACTURER OF INDUSTRIAL VALVES

93 Rue Louis Blanc - 02300 CHAUNY - FRANCE
 Phone : +33 (0)3 23 52 02 86 Fax : +33 (0)3 23 39 52 28
 Website : www.autexier.fr

Ref. AU591 Family: 09

Rev. 00

Date : 10 Nov. 2021

Page 1/1

ALUMINIUM-BRONZE DOUBLE WEDGE GATE VALVE WITH FLANGES

Ref. AU591.32

SERIES :

- AU591

For material compatibility, contact us

CARACTERISTICS :

- PN16 (Nominal Pressure)

- ENDS : Flanges ISO PN10 or PN16

- MATERIAL : ALUMINIUM BRONZE CC333G

MAXIMUM CONDITIONS OF USE :

- 16 bar of -10°C to 150°C

APPLICATIONS :

- Seawater

- Water-based fluids

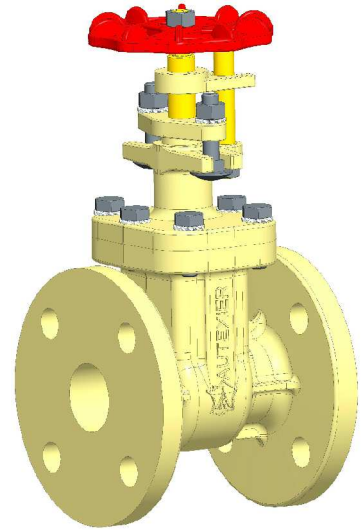
- Steam (8 bar)

OPTIONS :

- Special drilling

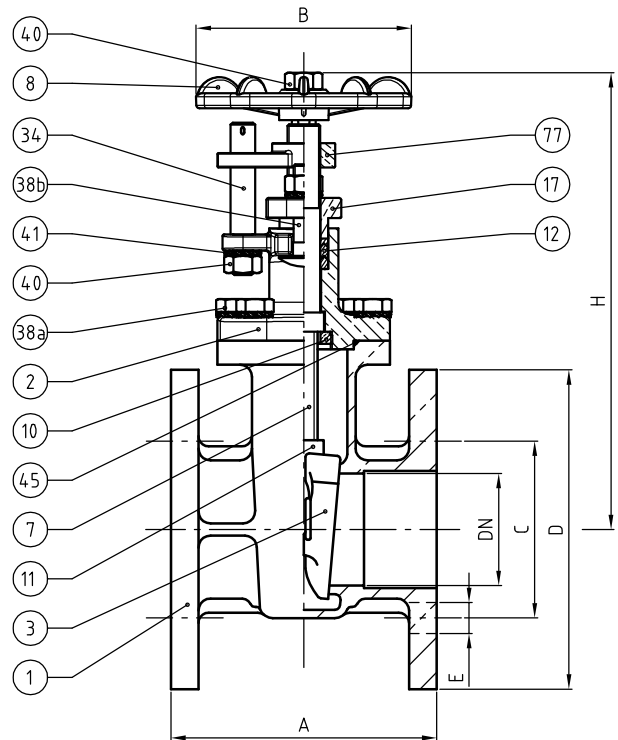
- Face to face

Specific dimensions, contact us



Subject to modifications

NOMENCLATURE			
Rep	Qty	Designation	Material
1	1	BODY	ALUMINIUM BRONZE
2	1	BONNET	ALUMINIUM BRONZE
3	1	DOUBLE WEDGE DISC	ALUMINIUM BRONZE
7	1	STEM	ALUMINIUM BRONZE
8	1	HANDWHEEL	EPOXY COATED ZAMAK
10	1	STEM NUT	ALUMINIUM BRONZE
11	1	WEDGE DISC NUT	ALUMINIUM BRONZE
12	1	PACKING	PTFE
17	1	PACKING FLANGE	ALUMINIUM BRONZE
34	1	GUIDE	ALUMINIUM BRONZE
38a	6	SCREW	STAINLESS STEEL
38b	2	SCREW	STAINLESS STEEL
40	4	NUT	STAINLESS STEEL
41	9	WASHER	STAINLESS STEEL
45	1	O-RING	FPM
77	1	TRAVEL INDICATOR	ALUMINIUM BRONZE



REFERENCES NORMS :

- Material : NF EN 1982 - NF EN 12163 - NF EN 12164 - NF EN 10272

- Testing & checking : NF EN 12266-1/-2 (bench test)

- Face to face : NF EN 558 - Series 29

DIMENSIONS							
DN	A (mm)	B (mm)	C (mm)	D (mm)	E (mm)	H (mm)	Weight (Kg)
32	127	110	100	140	18	209	7.500

Ref. instruction of assembling : 0904DA123E

Ref. instruction of operation : 0904DA087E

Mounting & assembly guides are available on our website.

These data are for information and can be modified without notice. It is not up to us to appreciate specifications. It is up to the customer to verify the adequacy between the equipment chosen and the real conditions of use.