



AUTEXIER

MANUFACTURER OF INDUSTRIAL VALVES

93 Rue Louis Blanc - 02300 CHAUNY - FRANCE
Phone : +33 (0)3 23 52 02 86 Fax : +33 (0)3 23 39 52 28
Website : www.autexier.fr

Ref. AU104 Family : 17

Rev. 07

Date : 23 Nov. 2021

Page 1/2

ALUMINIUM BRONZE CHECK VALVE TYPE VERTICAL LIFT

Ref. AU104CØ / AU104TØ

SERIES :

- AU104C : Contact Aluminium Bronze / Aluminium Bronze
 - AU104T : Contact Aluminium Bronze / PTFE
- For material compatibility, contact us



CHARACTERISTICS :

- PN30 (Nominal Pressure)
- ENDS : Female GAZ threads
- MATERIAL : ALUMINIUM BRONZE CC333G

MAXIMUM CONDITIONS OF USE :

- 30 bar of -10°C to 225°C

APPLICATIONS :

- Water-based fluids
- Seawater

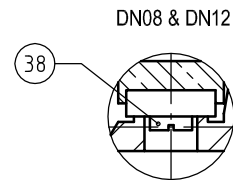
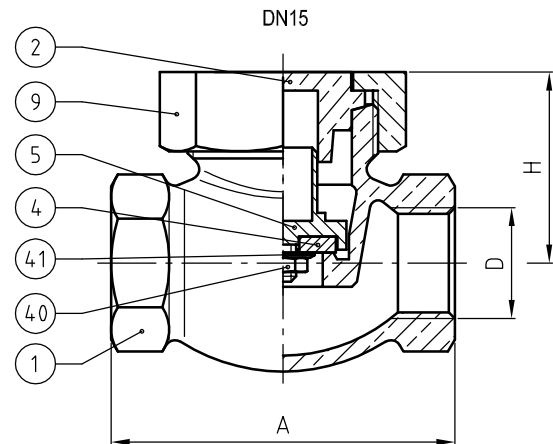
OPTIONS :

- NPT/API connection
 - Stainless steel springloaded
- Specific dimensions, contact us



Subject to modifications

NOMENCLATURE			
Rep	Qty	Designation	Material
1	1	BODY	ALUMINIUM BRONZE
2	1	BONNET	ALUMINIUM BRONZE
4	1	DISC	ALUMINIUM BRONZE / PTFE
5	1	DISC HOLDER	ALUMINIUM BRONZE
9	1	BONNET NUT	ALUMINIUM BRONZE
38	1	SCREW (DN08/12)	STAINLESS STEEL
40	1	NUT (DN15)	ALUMINIUM BRONZE
41	1	WASHER (DN15)	ALUMINIUM BRONZE



REFERENCES NORMS :

- Material : NF EN 1982 - NF EN 12163 - NF EN 12164 - NF EN 10272
- Testing & checking : NF EN 12266-1/-2 (bench test)

Ref. instruction of assembling : 0904DA109E

Ref. instruction of operation : 0904DA110E

Mounting & assembly guides are available on our website.

DIMENSIONS			
DN	08	12	15
A (mm)	52	58	65
D (mm)	1/4"	3/8"	1/2"
H (mm)	33	33	36
Weight (Kg)	0.255	0.297	0.382

These data are for information and can be modified without notice. It is not up to us to appreciate specifications. It is up to the customer to verify the adequacy between the equipment chosen and the real conditions of use.



AUTEXIER

MANUFACTURER OF INDUSTRIAL VALVES

93 Rue Louis Blanc - 02300 CHAUNY - FRANCE
 Phone : +33 (0)3 23 52 02 86 Fax : +33 (0)3 23 39 52 28
 Website : www.autexier.fr

Ref. AU104 Family : 17

Rev. 07

Date : 23 Nov. 2021

Page 2/2

ALUMINIUM BRONZE CHECK VALVE TYPE VERTICAL LIFT

Ref. AU104CØ / AU104TØ

SERIES :

- AU104C : Contact Aluminium Bronze / Aluminium Bronze
 - AU104T : Contact Aluminium Bronze / PTFE
- For material compatibility, contact us*



CHARACTERISTICS :

- PN30 (Nominal Pressure)
- ENDS : Female GAZ threads
- MATERIAL : ALUMINIUM BRONZE CC333G

MAXIMUM CONDITIONS OF USE :

- 30 bar of -10°C to 200°C

APPLICATIONS :

- Water-based fluids
- Seawater

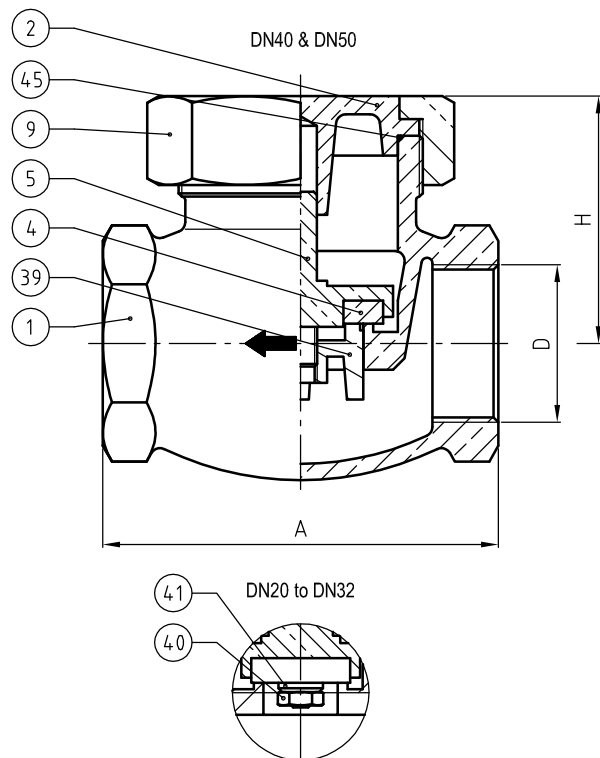
OPTIONS :

- NPT/API connection
 - Stainless steel springloaded
- Specific dimensions, contact us*



Subject to modifications

NOMENCLATURE			
Rep	Qty	Designation	Material
1	1	BODY	ALUMINIUM BRONZE
2	1	BONNET	ALUMINIUM BRONZE
4	1	DISC	ALUMINIUM BRONZE / PTFE
5	1	DISC HOLDER	ALUMINIUM BRONZE
9	1	BONNET NUT	ALUMINIUM BRONZE
39	1	FIN (DN40/50)	ALUMINIUM BRONZE
40	1	NUT (DN20/32)	ALUMINIUM BRONZE
41	1	WASHER (DN20/32)	ALUMINIUM BRONZE
45	1	O-RING	FPM



REFERENCES NORMS :

- Material : NF EN 1982 - NF EN 12163 - NF EN 12164 - NF EN 10272
- Testing & checking : NF EN 12266-1/-2 (bench test)

Ref. instruction of assembling : 0904DA109E

Ref. instruction of operation : 0904DA110E

Mounting & assembly guides are available on our website.

DIMENSIONS					
DN	20	25	32	40	50
A (mm)	84	98	110	120	145
D (mm)	3/4"	1"	1"1/4	1"1/4	2"
H (mm)	48	55	65	75	90
Weight (Kg)	0.722	1.105	1.657	2.550	3.670

These data are for information and can be modified without notice. It is not up to us to appreciate specifications. It is up to the customer to verify the adequacy between the equipment chosen and the real conditions of use.