



AUTEXIER

MANUFACTURER OF INDUSTRIAL VALVES

93 Rue Louis Blanc - 02300 CHAUNY - FRANCE
 Phone : +33 (0)3 23 52 02 86 Fax : +33 (0)3 23 39 52 28
 Website : www.autexier.fr

Ref. 405 Family : 18

Rev. 03

Date : 25 Nov. 2021

Page 1/1

VERTICAL LIFT CHECK VALVE WITH FLANGES

Ref. 405AØ / 405TØ

SERIES :

- 405A : Contact Stainless steel / Stainless steel
- 405T : Contact Stainless steel / PTFE
- Union bonnet

For material compatibility, contact us

CARACTERISTICS :

- PN30 (Nominal Pressure)
- ENDS : ISO PN16 flanges
- MATERIAL : BRONZE CC491K

MAXIMUM CONDITIONS OF USE :

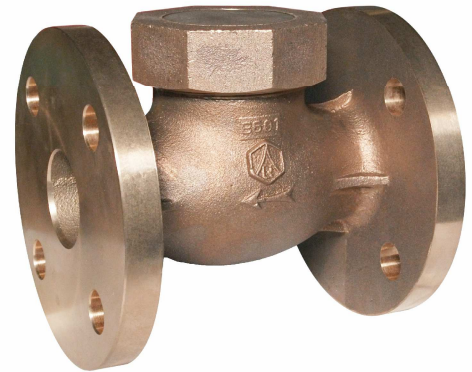
- 405C15 / 405T15 : 30 bar of -45°C to 225°C
- 405CØ / 405TØ : 30 bar of -15°C to 200°C

APPLICATIONS :

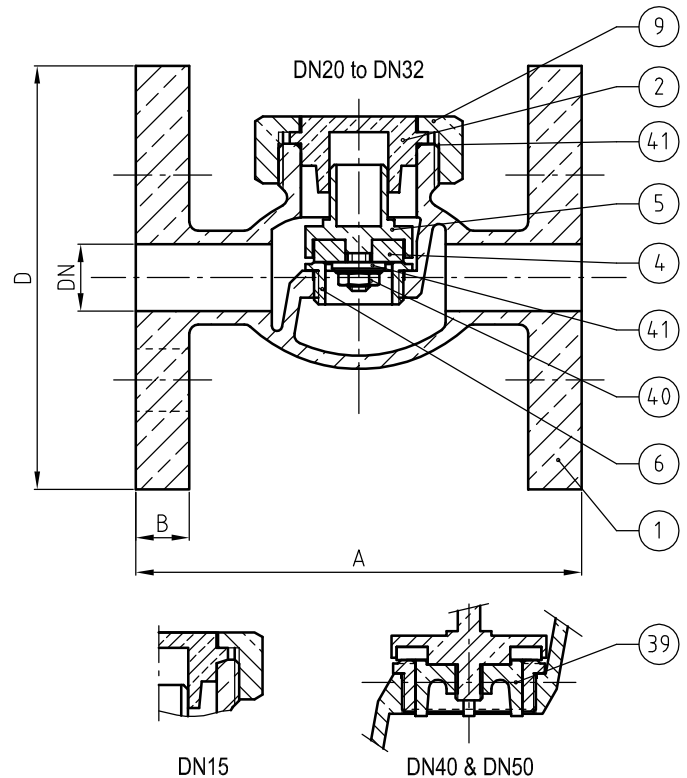
- Water-based fluids

OPTIONS :

- Special drilling
 - ASA 150 flanges (PN20)
 - Stainless steel springloaded
- Specific dimensions, contact us



Subject to modifications



NOMENCLATURE			
Rep	Qty	Designation	Material
1	1	BODY	BRONZE
2	1	BONNET	BRONZE
4	1	DISC	STAINLESS STEEL / PTFE
5	1	DISC HOLDER	BRONZE / BRASS (DN15)
6	1	SEAT	STAINLESS STEEL
9	1	BONNET NUT	BRONZE
39	1	FIN (DN40 and DN50)	BRONZE
40	1	NUT (DN15 to DN32)	BRASS
41	1	WASHER	BRASS

REFERENCES NORMS :

- Material : NF EN 1982 - NF EN 12163 - NF EN 12164 - NF EN 10272
- Testing & checking : NF EN 12266-1/-2 (bench test)
- Face to face : NF E 29-353
- Flanges : NF EN 1092-3

Ref. instruction of assembling : 0904DA109E

Ref. instruction of operation : 0904DA110E

Mounting & assembly guides are available on our website.

DIMENSIONS							
DN	15	20	25	32	40	50	65*
A (mm)	100	110	125	140	160	185	216
B (mm)	12	13	14	15	16	17	17
D (mm)	95	105	115	140	150	165	185
Weight (Kg) 405A	1.872	2.600	3.530	5.380	7.400	10.300	--
Weight (Kg) 405T	1.725	2.500	3.512	5.592	7.417	9.635	--

*Under reserve

These data are for information and can be modified without notice. It is not up to us to appreciate specifications. It is up to the customer to verify the adequacy between the equipment chosen and the real conditions of use.