



AUTEXIER

MANUFACTURER OF INDUSTRIAL VALVES

93 Rue Louis Blanc - 02300 CHAUNY - FRANCE
 Phone : +33 (0)3 23 52 02 86 Fax : +33 (0)3 23 39 52 28
 Website : www.autexier.fr

Ref. 404 Family : 17

Rev. 04

Date : 23 Nov. 2021

Page 1/2

BRONZE CHECK VALVE TYPE VERTICAL LIFT Ref. 404AØ / 404TØ

SERIES :

- 404A: Contact Stainless steel / Stainless steel
 - 404T: Contact Stainless steel / PTFE
- For material compatibility, contact us*



CARACTERISTICS :

- PN30 (Nominal Pressure)
- ENDS : Female GAZ threads
- MATERIAL : BRONZE CC491K

MAXIMUM CONDITIONS OF USE :

- 30 bar of -45°C to 225°C

APPLICATIONS :

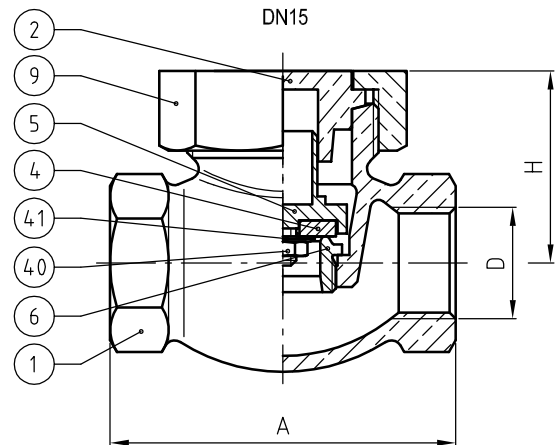
- Water-based fluids

OPTIONS :

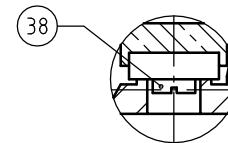
- NPT/API connection
 - Stainless steel springloaded
- Specific dimensions, contact us*



Subject to modifications



DN08 & DN12



NOMENCLATURE			
Rep	Qty	Designation	Material
1	1	BODY	BRONZE
2	1	BONNET	BRONZE
4	1	DISC	PTFE / STAINLESS STEEL
5	1	DISC HOLDER	BRASS
6	1	SEAT	STAINLESS STEEL
9	1	BONNET NUT	BRONZE
38	1	SCREW (DN08/12)	STAINLESS STEEL
40	1	NUT (DN15)	BRASS
41	1	WASHER (DN15)	BRASS

REFERENCES NORMS :

- Material : NF EN 1982 - NF EN 12163 - NF EN 12164 - NF EN 10272
- Testing & checking : NF EN 12266-1/-2 (bench test)

Ref. instruction of assembling : 0904DA109E

Ref. instruction of operation : 0904DA110E

Mounting & assembly guides are available on our website.

DIMENSIONS			
DN	08	12	15
A (mm)	52	58	65
D (mm)	1/4"	3/8"	1/2"
H (mm)	33	33	36
Weight (Kg)	0.300	0.350	0.450

These data are for information and can be modified without notice. It is not up to us to appreciate specifications. It is up to the customer to verify the adequacy between the equipment chosen and the real conditions of use.



AUTEXIER

MANUFACTURER OF INDUSTRIAL VALVES

93 Rue Louis Blanc - 02300 CHAUNY - FRANCE
 Phone : +33 (0)3 23 52 02 86 Fax : +33 (0)3 23 39 52 28
 Website : www.autexier.fr

Ref. 404 Family : 17

Rev. 04

Date : 23 Nov. 2021

Page 2/2

BRONZE CHECK VALVE TYPE VERTICAL LIFT Ref. 404AØ / 404TØ

SERIES :

- 404A: Contact Stainless steel / Stainless steel
 - 404T: Contact Stainless steel / PTFE
- For material compatibility, contact us*



CHARACTERISTICS :

- PN30 (Nominal Pressure)
- ENDS : Female GAZ threads
- MATERIAL : BRONZE CC491K

MAXIMUM CONDITIONS OF USE :

- 30 bar of -15°C to 200°C

APPLICATIONS :

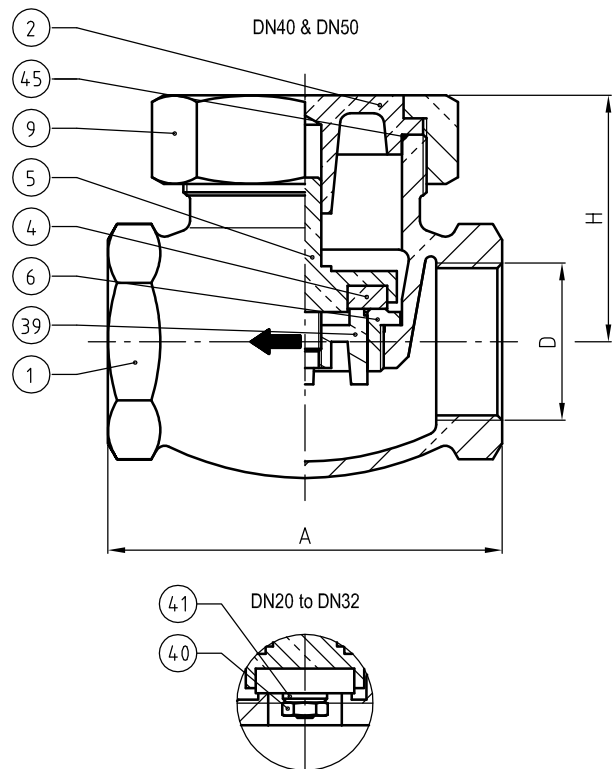
- Water-based fluids

OPTIONS :

- NPT/API connection
 - Stainless steel springloaded
- Specific dimensions, contact us*



Subject to modifications



NOMENCLATURE			
Rep	Qty	Designation	Material
1	1	BODY	BRONZE
2	1	BONNET	BRONZE
4	1	DISC	PTFE / STAINLESS STEEL
5	1	DISC HOLDER	BRONZE
6	1	SEAT	STAINLESS STEEL
9	1	BONNET NUT	BRONZE
39	1	FIN (DN40/50)	BRONZE
40	1	NUT (DN20/32)	BRASS
41	1	WASHER (DN20/32)	BRASS
45	1	O-RING	FPM

REFERENCES NORMS :

- Material : NF EN 1982 - NF EN 12163 - NF EN 12164 - NF EN 10272
- Testing & checking : NF EN 12266-1/-2 (bench test)

Ref. instruction of assembling : 0904DA109E

Ref. instruction of operation : 0904DA110E

Mounting & assembly guides are available on our website.

DIMENSIONS					
DN	20	25	32	40	50
A (mm)	84	98	110	120	145
D	3/4"	1"	1"1/4	1"1/2	2"
H (mm)	48	55	65	75	90
Weight (Kg)	0.850	1.300	1.950	3.000	4.350

These data are for information and can be modified without notice. It is not up to us to appreciate specifications. It is up to the customer to verify the adequacy between the equipment chosen and the real conditions of use.