



AUTEXIER

MANUFACTURER OF INDUSTRIAL VALVES

93 Rue Louis Blanc - 02300 CHAUNY - FRANCE
Phone: +33 (0)3 23 52 02 86 Fax: +33 (0)3 23 39 52 28
Website: www.autexier.fr

Ref. 1097T Family : 10

Rev. 10

Date : 13 April 2021

Page 1/1

BRONZE SELF-CLOSING LEVER GLOBE VALVE Ref. 1097TØM

SERIES :

- 1097T
- With hand lever

For material compatibility, contact us



CARACTERISTICS :

- PN20 (Nominal Pressure)
- ENDS : GAZ Threads
- MATERIAL : BRONZE CC491K

MAXIMUM CONDITIONS OF USE :

- 20 bar of -15°C to 200°C

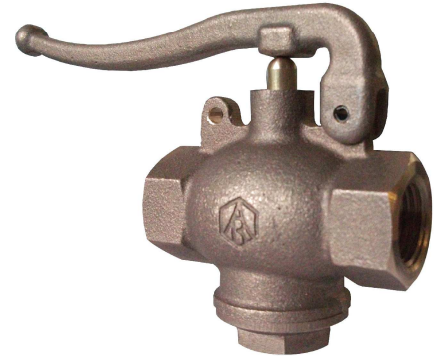
APPLICATIONS :

- Water-based fluids
- Water
- Steam (16 bar)
- Non-toxic gases
- Oil & gas

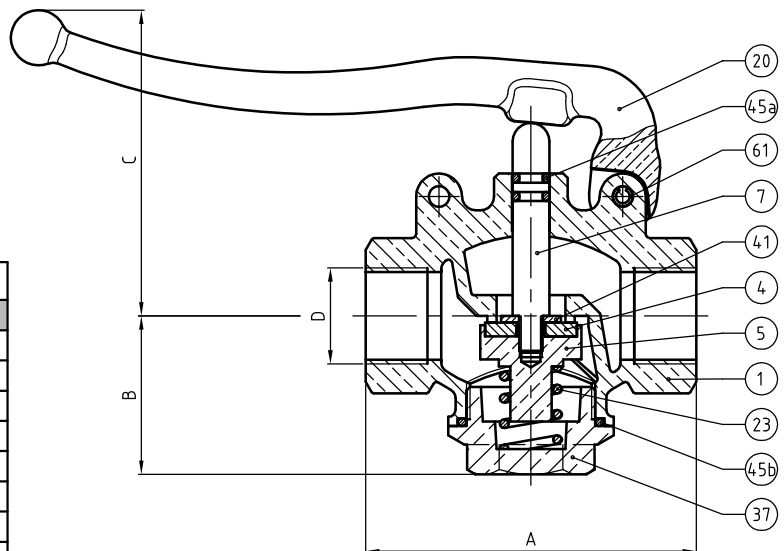
OPTIONS :

- NPT/API connection
- Foot lever (1097TØ)

Specific dimensions, contact us



Subject to modifications



NOMENCLATURE

Rep	Qty	Designation	Material
1	1	BODY	BRONZE
4	1	DISC	PTFE
5	1	DISC HOLDER	BRONZE
7	1	STEM	BRASS
20	1	LEVER	BRONZE
23	1	SPRING	STAINLESS STEEL
37	1	PLUG	BRONZE
41	1	WASHER	BRASS
45a	2	O-RING	FPM
45b	1	O-RING	FPM
61	1	PIN	STAINLESS STEEL

REFERENCES NORMS :

- Material : NF EN 1982 - NF EN 12163 - NF EN 12164 - NF EN 10272
- Testing & checking : NF EN 12266-1/-2 (bench test)

Ref. instruction of assembling : 0904DA102E

Ref. instruction of operation : 0904DA103E

Mounting & assembly guides are available on our website.

DIMENSIONS

DN	08	12	15	20	25
A (mm)	65	65	72	76	85
B (mm)	30	30	34.5	42.5	49
C (mm)	64	64	67	77	108
D	1/4	3/8	1/2	3/4	1"
Weight (Kg)	0.368	0.348	0.320	-	1.325

These data are for information and can be modified without notice. It is not up to us to appreciate specifications. It is up to the customer to verify the adequacy between the equipment chosen and the real conditions of use.