



# AUTEXIER

MANUFACTURER OF INDUSTRIAL VALVES

93 Rue Louis Blanc - 02300 CHAUNY - FRANCE  
 Phone : +33 (0)3 23 52 02 86 Fax : +33 (0)3 23 39 52 28  
 Website : www.autexier.fr

Ref. 104 Family : 17

Rev. 04

Date : 23 Nov. 2021

Page 1/2

## BRONZE CHECK VALVE TYPE VERTICAL LIFT Ref. 104CØ / 104TØ

**SERIES :**

- 104C : Contact Bronze / Bronze
- 104T : Contact Bronze / PTFE

*For material compatibility, contact us*



**CHARACTERISTICS :**

- PN30 (Nominal Pressure)
- ENDS : Female GAZ threads
- MATERIAL : BRONZE CC491K

**MAXIMUM CONDITIONS OF USE :**

- 30 bar of -45°C to 225°C

**APPLICATIONS :**

- Water-based fluids

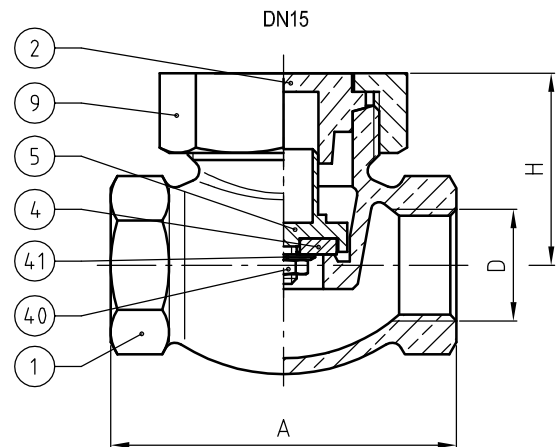
**OPTIONS :**

- NPT/API connection
  - Stainless steel springloaded
- Specific dimensions, contact us*

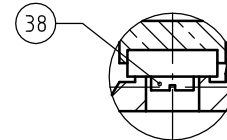


*Subject to modifications*

NOMENCLATURE			
Rep	Qty	Designation	Material
1	1	BODY	BRONZE
2	1	BONNET	BRONZE
4	1	DISC	BRONZE / PTFE
5	1	DISC HOLDER	BRASS
9	1	BONNET NUT	BRONZE
38	1	SCREW (DN08/12)	STAINLESS STEEL
40	1	NUT (DN15)	BRASS
41	1	WASHER (DN15)	BRASS



DN08 & DN12



**REFERENCES NORMS :**

- Material : NF EN 1982 - NF EN 12163 - NF EN 12164 - NF EN 10272
- Testing & checking : NF EN 12266-1/-2 (bench test)

Ref. instruction of assembling : 0904DA109E

Ref. instruction of operation : 0904DA110E

**Mounting & assembly guides are available on our website.**

DIMENSIONS			
DN	08	12	15
A (mm)	52	58	65
D (mm)	1/4"	3/8"	1/2"
H (mm)	33	33	36
Weight (Kg)	0.300	0.350	0.450

*These data are for information and can be modified without notice. It is not up to us to appreciate specifications. It is up to the customer to verify the adequacy between the equipment chosen and the real conditions of use.*



# AUTEXIER

MANUFACTURER OF INDUSTRIAL VALVES

93 Rue Louis Blanc - 02300 CHAUNY - FRANCE  
 Phone : +33 (0)3 23 52 02 86 Fax : +33 (0)3 23 39 52 28  
 Website : www.autexier.fr

Ref. 104 Family : 17

Rev. 04

Date : 23 Nov. 2021

Page 2/2

## BRONZE CHECK VALVE TYPE VERTICAL LIFT Ref. 104CØ / 104TØ

**SERIES :**

- 104C : Contact Bronze / Bronze
- 104T : Contact Bronze / PTFE

*For material compatibility, contact us*

**CHARACTERISTICS :**

- PN30 (Nominal Pressure)
- ENDS : Female GAZ threads
- MATERIAL : BRONZE CC491K

**MAXIMUM CONDITIONS OF USE :**

- 30 bar of -15°C to 200°C

**APPLICATIONS :**

- Water-based fluids

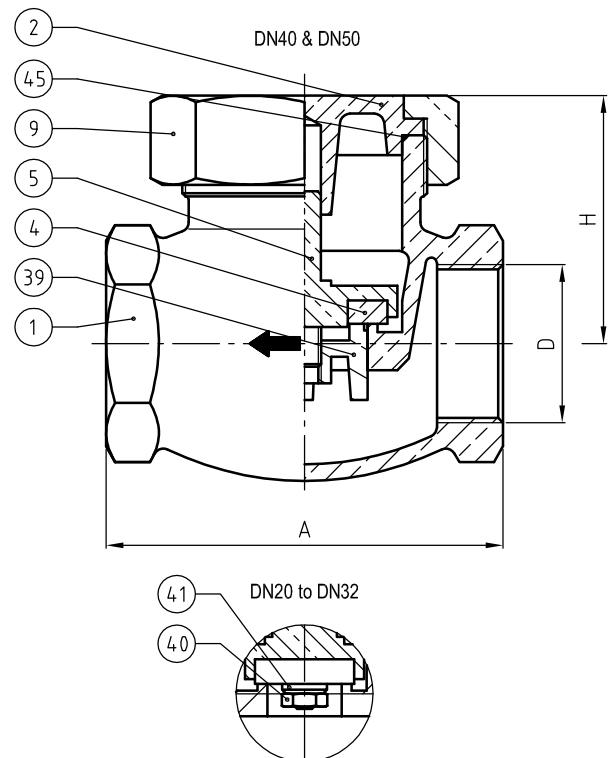
**OPTIONS :**

- NPT/API connection
  - Stainless steel springloaded
- Specific dimensions, contact us*



*Subject to modifications*

NOMENCLATURE			
Rep	Qty	Designation	Material
1	1	BODY	BRONZE
2	1	BONNET	BRONZE
4	1	DISC	BRONZE / PTFE
5	1	DISC HOLDER	BRONZE
9	1	BONNET NUT	BRONZE
39	1	FIN (DN40/50)	BRONZE
40	1	NUT (DN20/32)	BRASS
41	1	WASHER (DN20/32)	BRASS
45	1	O-RING	FPM



**REFERENCES NORMS :**

- Material : NF EN 1982 - NF EN 12163 - NF EN 12164 - NF EN 10272
- Testing & checking : NF EN 12266-1/-2 (bench test)

Ref. instruction of assembling : 0904DA109E

Ref. instruction of operation : 0904DA110E

**Mounting & assembly guides are available on our website.**

DIMENSIONS					
DN	20	25	32	40	50
A (mm)	84	98	110	120	145
D (mm)	3/4"	1"	1"1/4	1"1/4	2"
H (mm)	48	55	65	75	90
Weight (Kg)	0.850	1.300	1.950	3.000	4.350

*These data are for information and can be modified without notice. It is not up to us to appreciate specifications. It is up to the customer to verify the adequacy between the equipment chosen and the real conditions of use.*