



AUTEXIER

MANUFACTURER OF INDUSTRIAL VALVES

93 Rue Louis Blanc - 02300 CHAUNY - FRANCE
 Phone : +33 (0)3 23 52 02 86 Fax : +33 (0)3 23 39 52 28
 Website : www.autexier.fr

Ref. 400 Family : 12

Rev. 04

Date : 11/10/2021

Page 1/2

BRONZE GLOBE VALVE Ref. 400AØ / 400TØ

SERIES :

- 400A : Contact Stainless steel / Stainless steel
- 400T : Contact Stainless steel / PTFE
- Female / Female
- Outside rising stem

For material compatibility, contact us

CARACTERISTICS :

- PN30 (Nominal Pressure)
- ENDS : Female GAZ threads
- MATERIAL : BRONZE CC491K

MAXIMUM CONDITIONS OF USE :

- 400A : 30 bar of -45°C to 225°C
- 400T : 30 bar of -45°C to 225°C

APPLICATIONS :

- Water-based fluids
- Steam (16b)
- Non-toxic gases

OPTIONS :

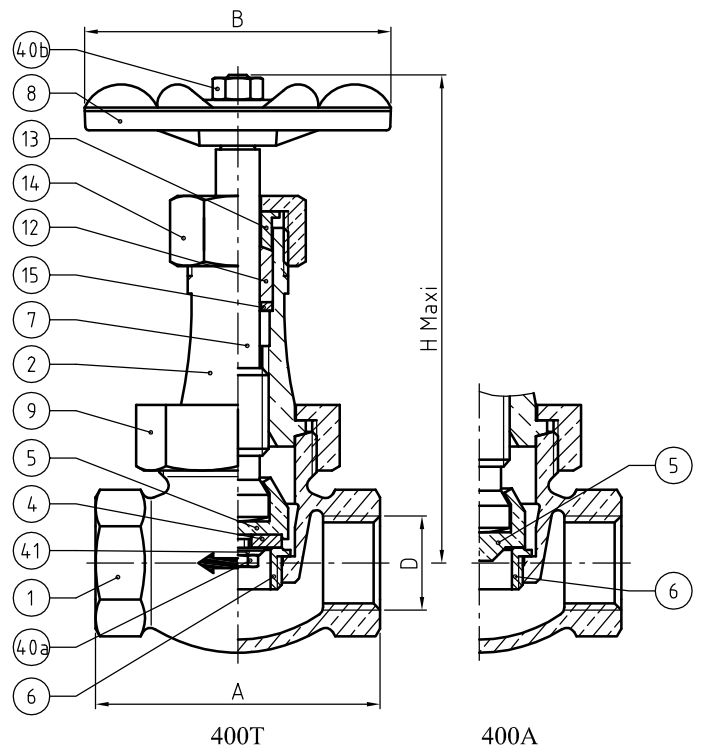
- NPT/API connection
- Male / Male (Ref 403)

Specific dimensions, contact us



Subject to modifications

NOMENCLATURE			
Rep	Qty	Designation	Material
1	1	BODY	BRONZE
2	1	BONNET	BRONZE
4	1	DISC	STAINLESS STEEL / PTFE
5	1	DISC HOLDER	BRASS
6	1	SEAT	STAINLESS STEEL
7	1	STEM	BRASS
8	1	HANDWHEEL	ZAMAK
9	1	BONNET NUT	BRONZE
12	1	PACKING	FIBER+GRAPHITE / PTFE
13	1	PACKING GLAND	BRASS
14	1	PACKING NUT	BRONZE
15	1	THRUST DISC	BRASS
40a	1	NUT	BRASS
40b	1	NUT	BRASS
41	1	WASHER	BRASS



REFERENCES NORMS :

- Material : NF EN 1982 - NF EN 12163 - NF EN 12164 - NF EN 10272
- Testing & checking : NF EN 12266-1/-2 (bench test)

Ref. instruction of assembling : 0904DA124E

Ref. instruction of operation : 0904DA088E

Mounting & assembly guides are available on our website.

DIMENSIONS			
DN	08	12	15
A (mm)	52	58	65
B (mm)	60	60	70
D	1/4"	3/8"	1/2"
H (mm)	110	114	120
Weight (Kg)	0.500	0.550	0.700

These data are for information and can be modified without notice. It is not up to us to appreciate specifications. It is up to the customer to verify the adequacy between the equipment chosen and the real conditions of use.



AUTEXIER

MANUFACTURER OF INDUSTRIAL VALVES

93 Rue Louis Blanc - 02300 CHAUNY - FRANCE
 Phone: +33 (0)3 23 52 02 86 Fax : +33 (0)3 23 39 52 28
 Website : www.autexier.fr

Ref. 400 Family : 12

Rev. 04

Date : 11/10/2021

Page 2/2

BRONZE GLOBE VALVE Ref. 400AØ / 400TØ

SERIES :

- 400A : Contact Stainless steel / Stainless steel
- 400T : Contact Stainless steel / PTFE
- Female / Female
- Outside rising stem

For material compatibility, contact us

CARACTERISTICS :

- PN30 (Nominal Pressure)
- ENDS : Female GAZ threads
- MATERIAL : BRONZE CC491K

MAXIMUM CONDITIONS OF USE :

- 400A : 30 bar of -15°C to 200°C
- 400T : 30 bar of -15°C to 200°C

APPLICATIONS :

- Water-based fluids
- Steam (16b)
- Non-toxic gases

OPTIONS :

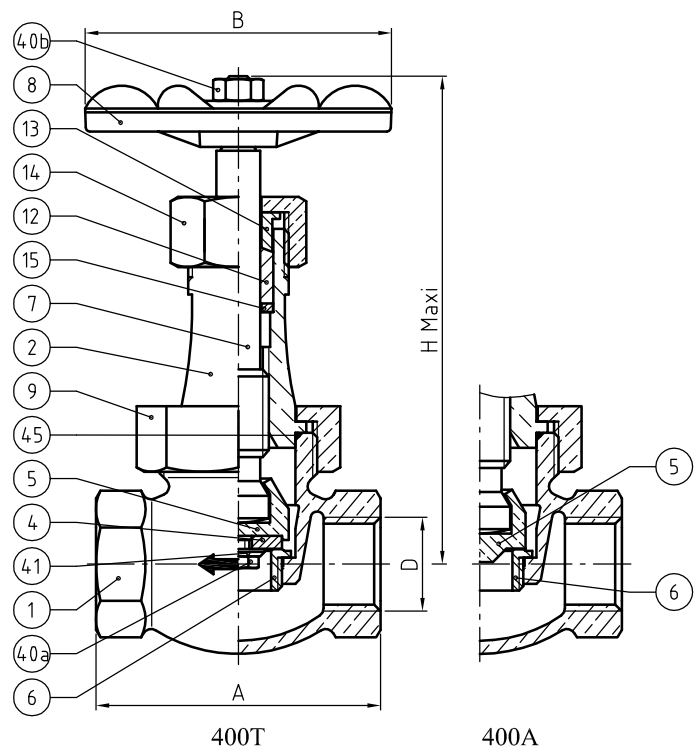
- NPT/API connection
- Male / Male (Ref 403)

Specific dimensions, contact us



Subject to modifications

NOMENCLATURE			
Rep	Qty	Designation	Material
1	1	BODY	BRONZE
2	1	BONNET	BRONZE
4	1	DISC	STAINLESS STEEL / PTFE
5	1	DISC HOLDER	BRASS / BRONZE (DN25 to 50)
6	1	SEAT	STAINLESS STEEL
7	1	STEM	BRASS
8	1	HANDWHEEL	ZAMAK
9	1	BONNET NUT	BRONZE
12	1	PACKING	FIBER+GRAPHITE / PTFE
13	1	PACKING GLAND	BRASS
14	1	PACKING NUT	BRONZE
15	1	THRUST DISC	BRASS
40a	1	NUT	BRASS
40b	1	NUT	BRASS
41	1	WASHER	BRASS / STAINLESS STEEL (DN50)
45	1	O-RING	FPM



REFERENCES NORMS :

- Material: NF EN 1982 - NF EN 12163 - NF EN 12164 - NF EN 10272
- Testing & checking : NF EN 12266-1/-2 (bench test)

Ref. instruction of assembling : 0904DA124E

Ref. instruction of operation : 0904DA088E

Mounting & assembly guides are available on our website.

DIMENSIONS					
DN	20	25	33	40	50
A (mm)	84	98	110	120	145
B (mm)	80	90	90	110	110
D	3/4"	1"	1"1/4	1"1/2	2"
H (mm)	155	170	190	215	250
Weight (Kg)	1.300	1.850	2.750	3.850	5.250

These data are for information and can be modified without notice. It is not up to us to appreciate specifications. It is up to the customer to verify the adequacy between the equipment chosen and the real conditions of use.